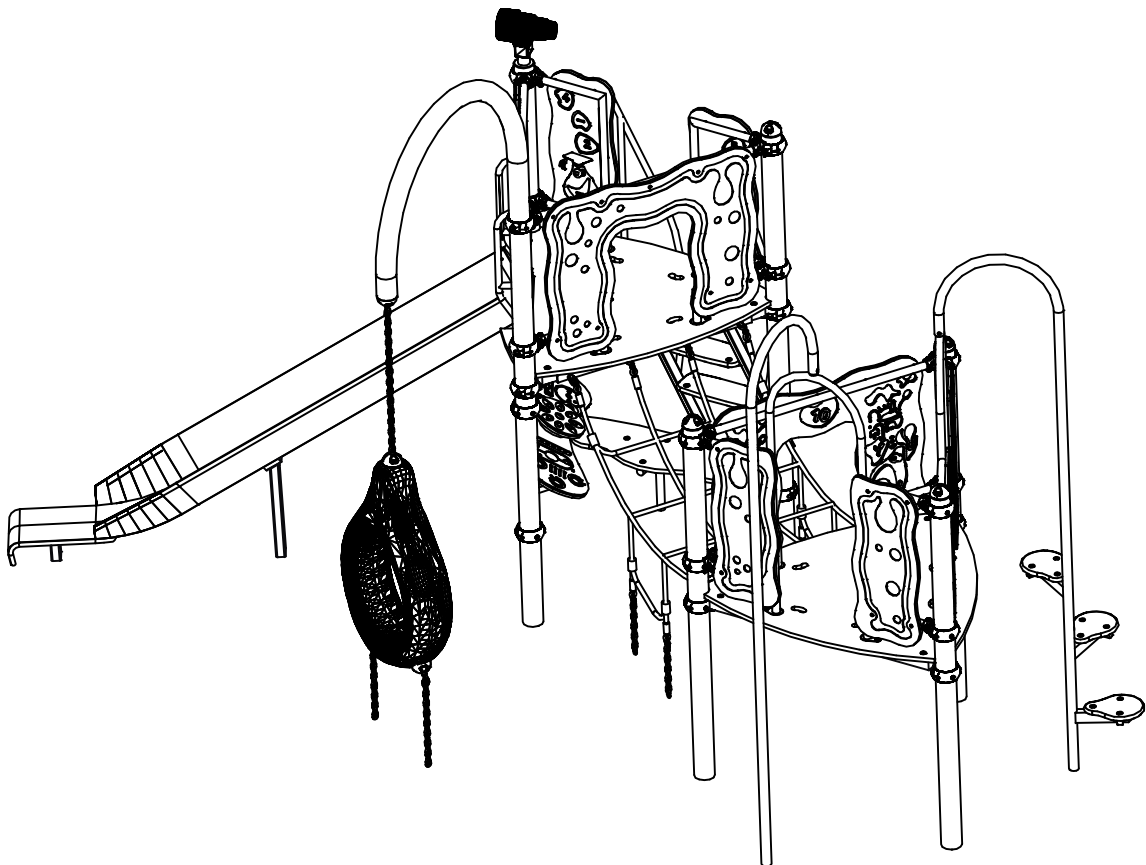
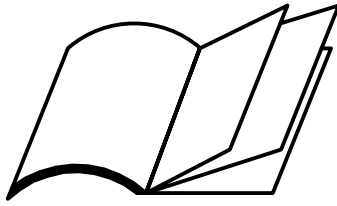


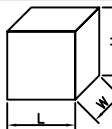
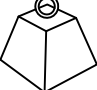

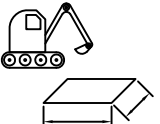
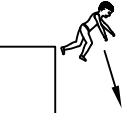

HAGS

ZINGO SEP

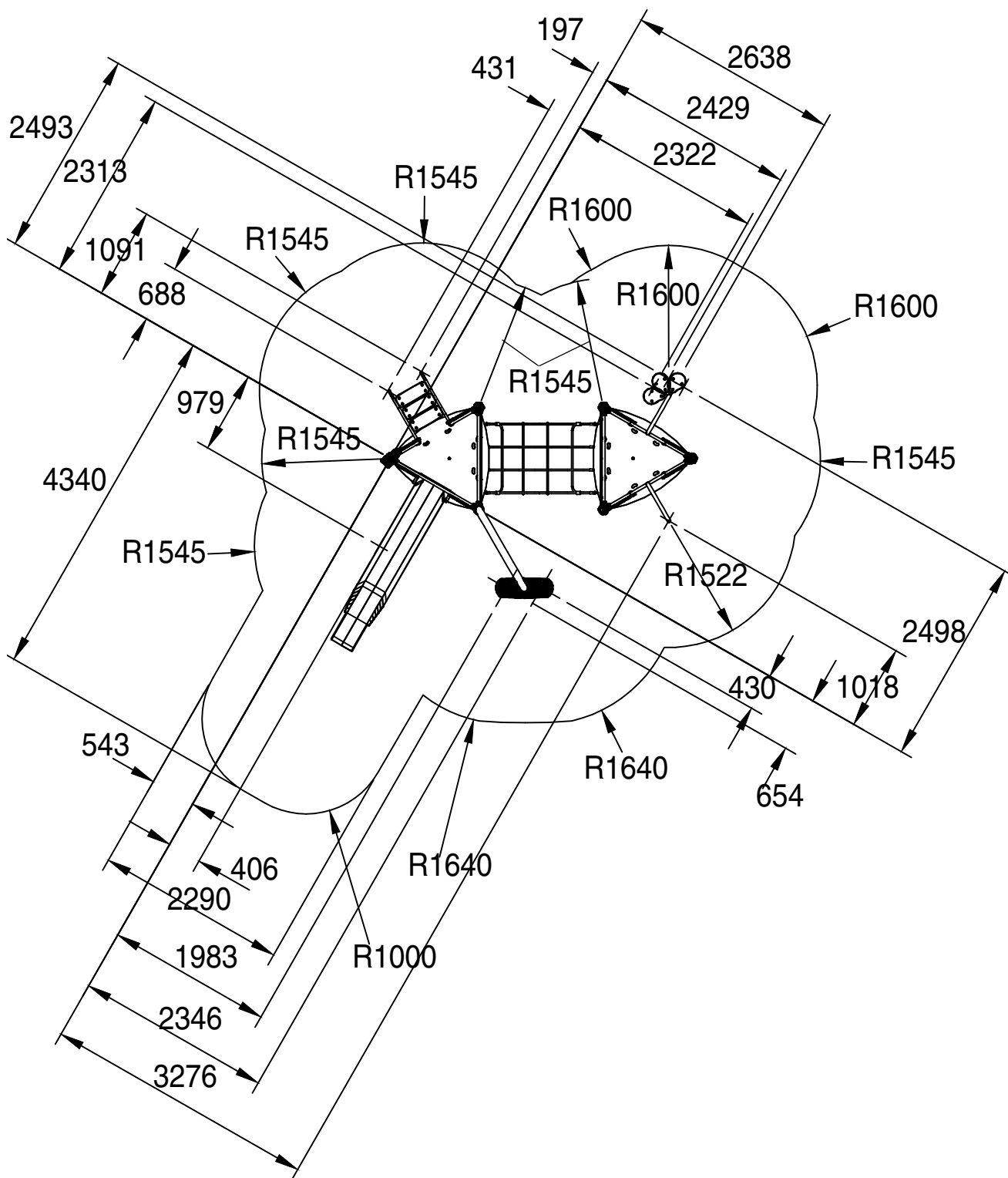
X-007/S, X-007/SD, X-007/P & X-007/PD



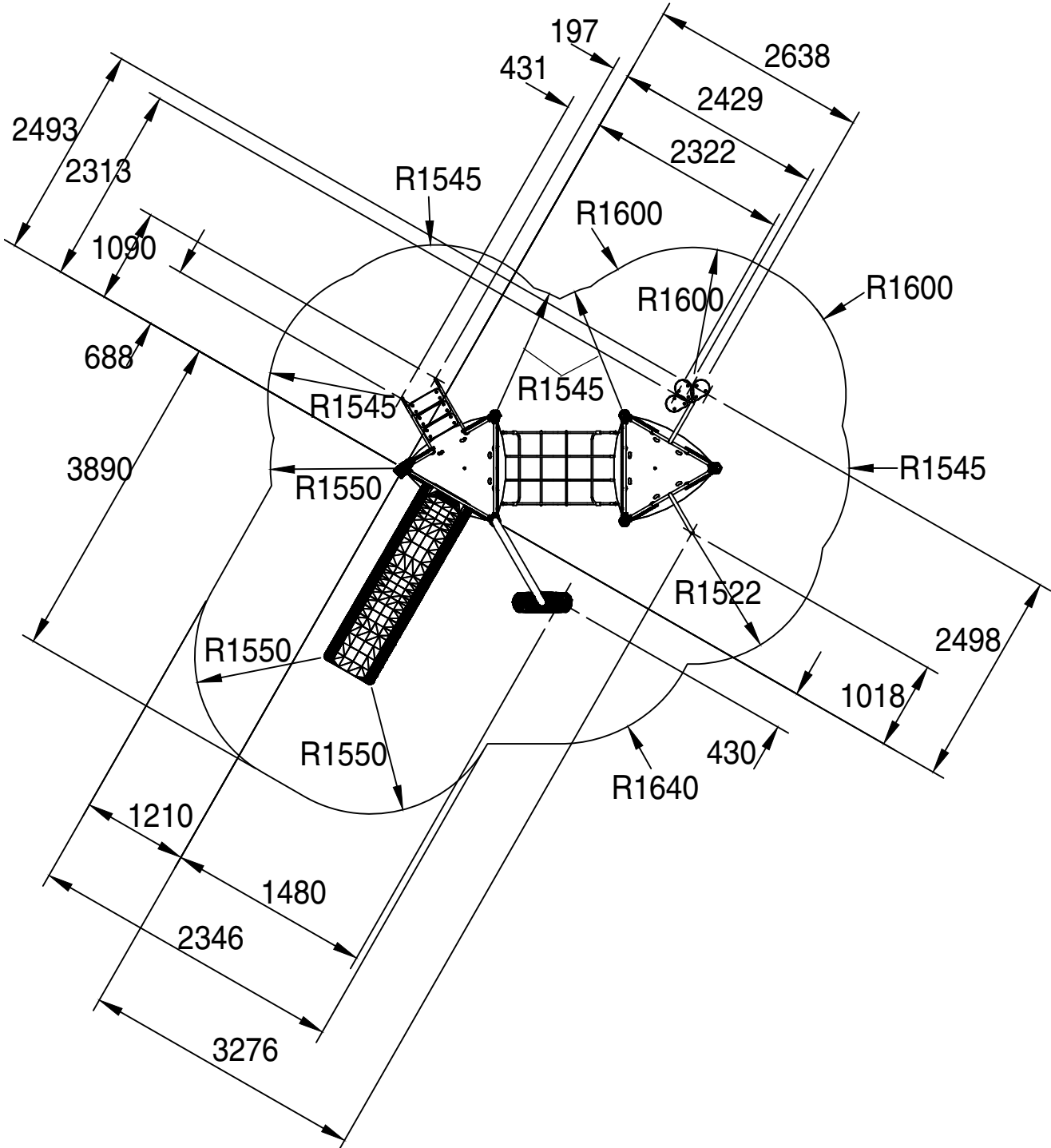


	 LxWxH (m)	 kg	 m ³	 m	 ≥EN1176	 x 3= T
X-007 /S	4.40 x 3.36 x 2.84	560	1.33	9.50 x 9.00	1.2m	36h
X-007 /P	4.60 x 3.55 x 2.84	608	1.28			

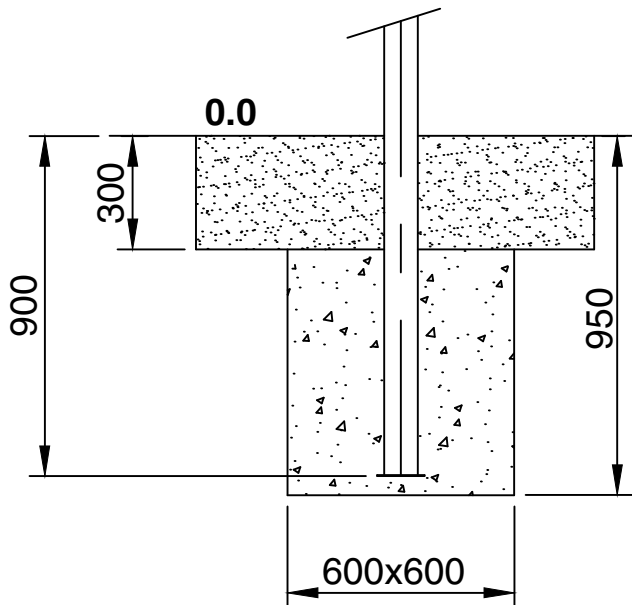
X-007/S



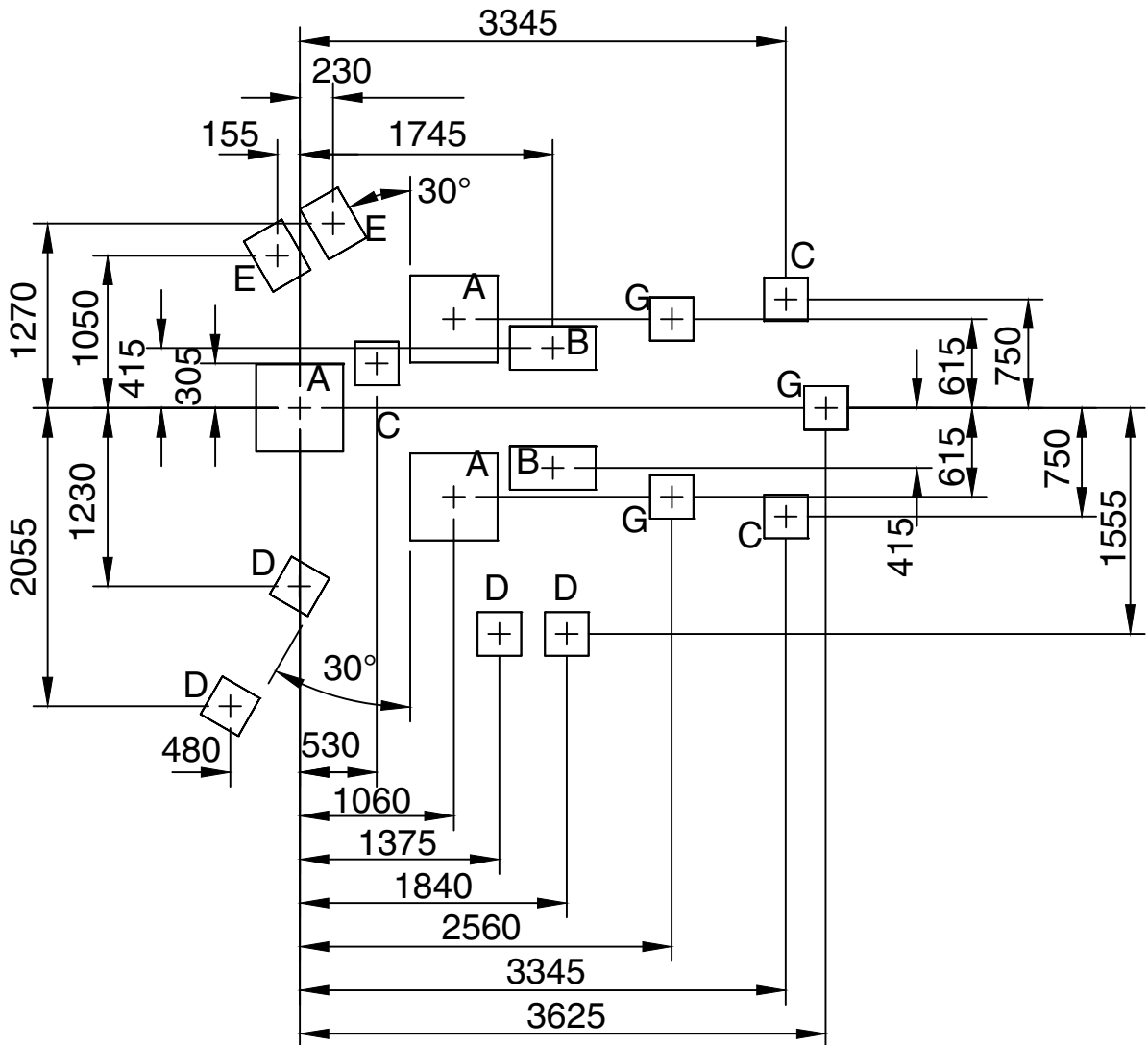
X-007/P



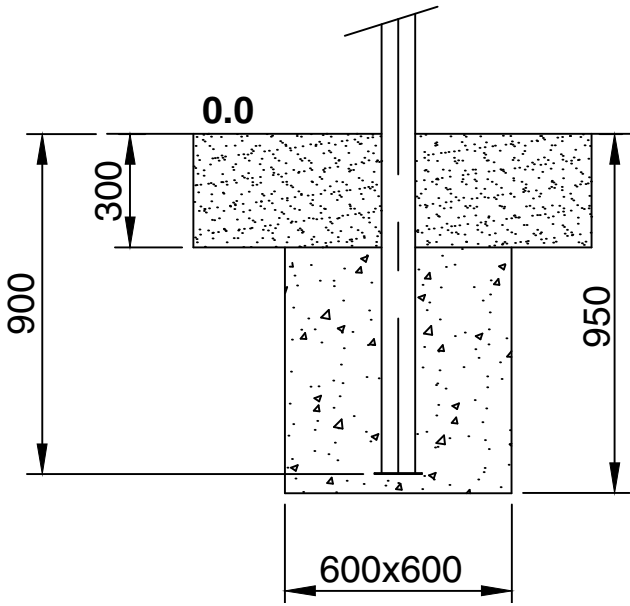
X-007/S



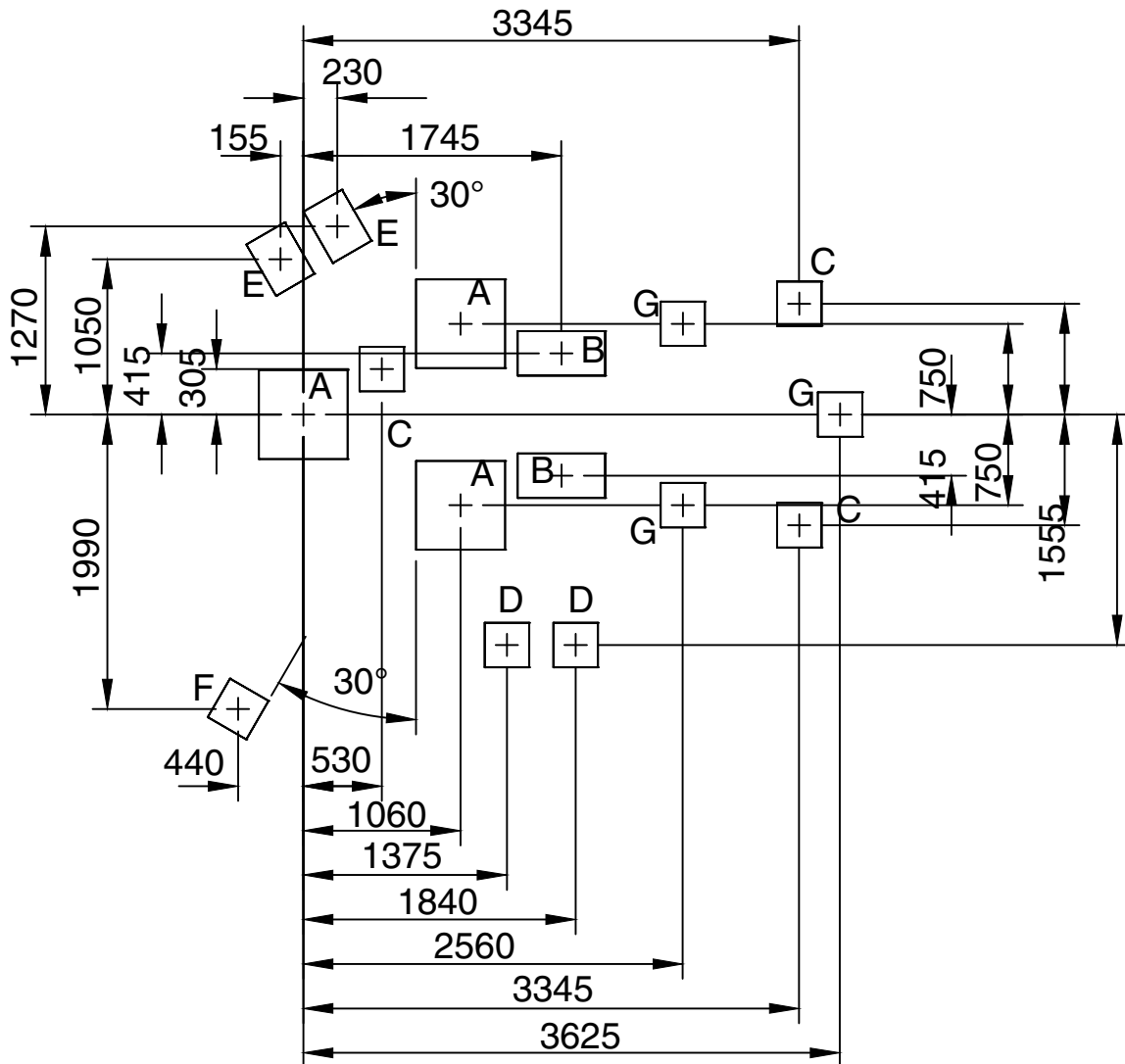
REF		L x W x D
'A'	m	0.60 x 0.60 x 0.95
'B'	m	0.30 x 0.59 x 0.63
'C'	m	0.50 x 0.50 x 0.70
'D'	m	0.30 x 0.30 x 0.63
'E'	m	0.30 x 0.40 x 0.70
'F'	m	0.30 x 0.50 x 0.80
'G'	m	0.30 x 0.30 x 0.95



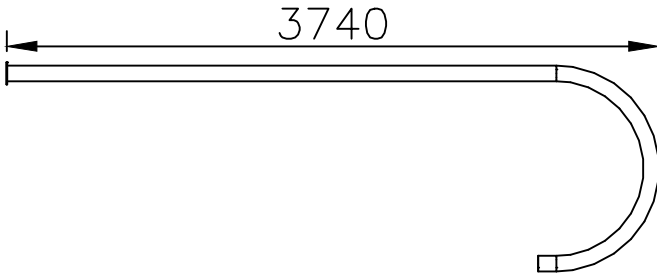
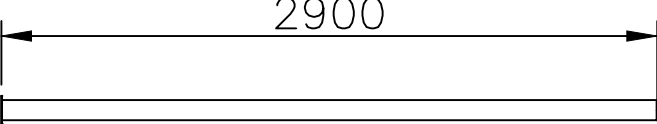
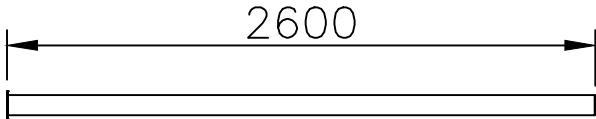
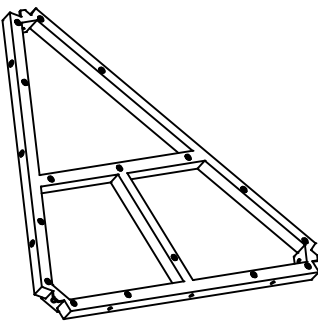
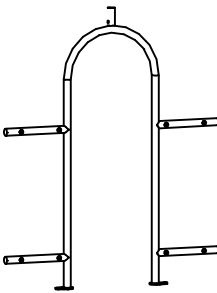
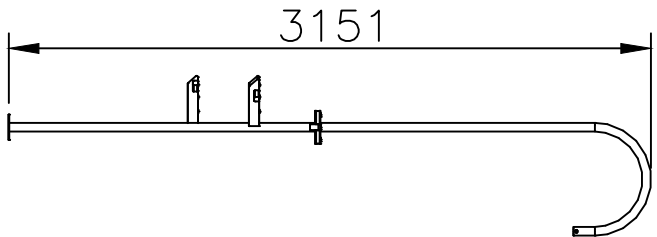
X-007/P

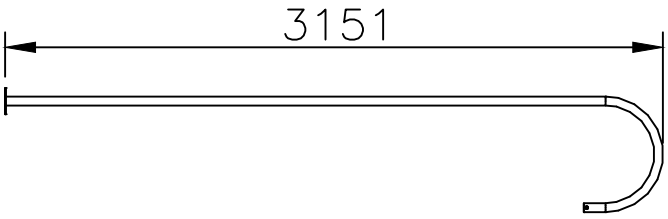
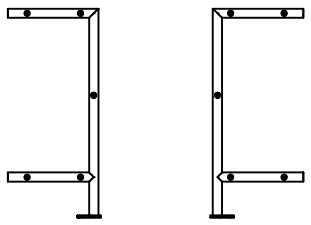
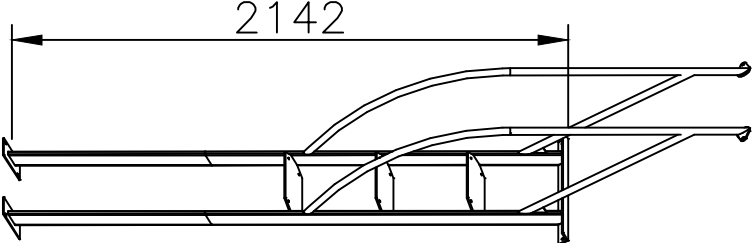
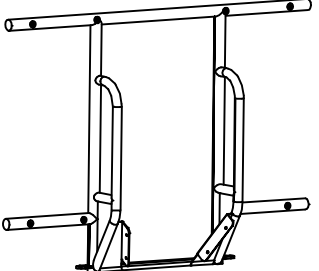
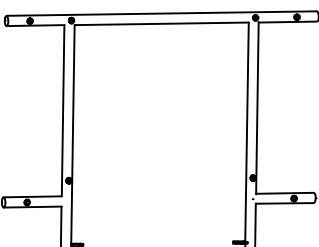
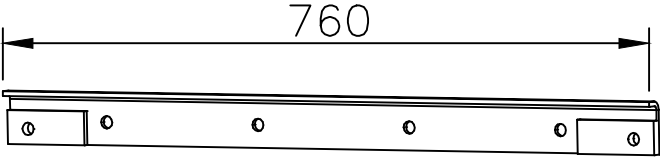
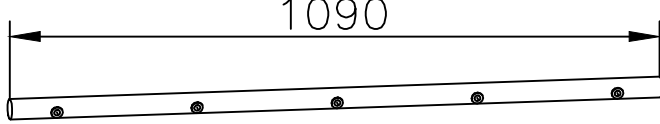
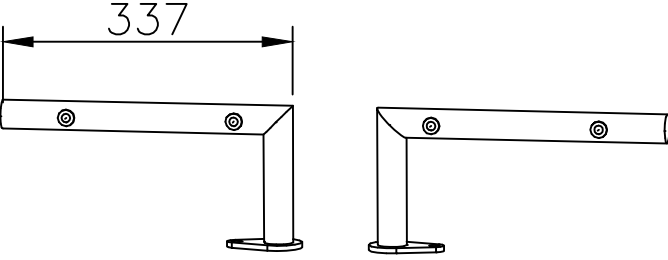


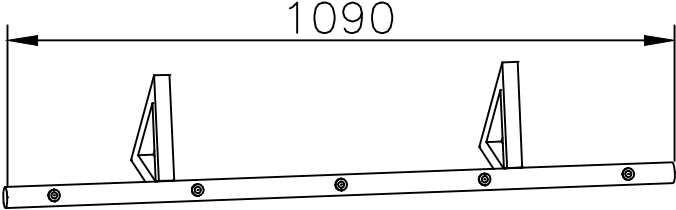
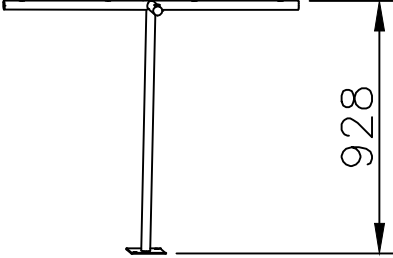
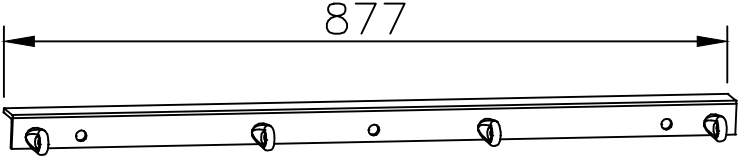
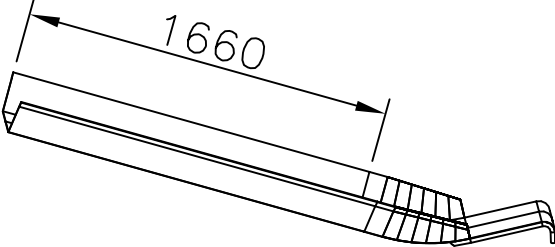
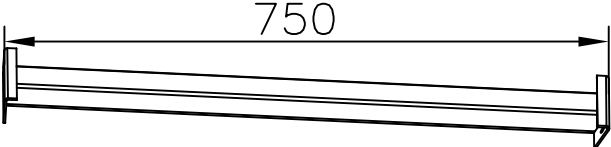
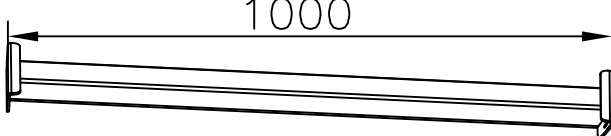
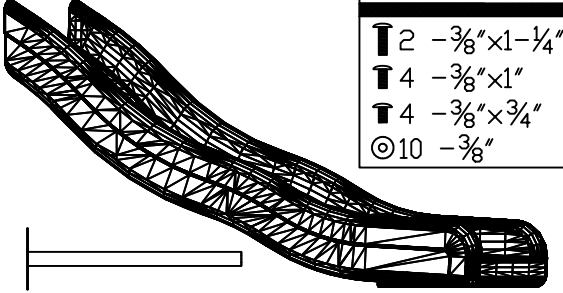
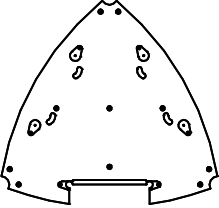
REF		L x W x D
'A'	m	0.60 x 0.60 x 0.95
'B'	m	0.30 x 0.59 x 0.63
'C'	m	0.50 x 0.50 x 0.70
'D'	m	0.30 x 0.30 x 0.63
'E'	m	0.30 x 0.40 x 0.70
'F'	m	0.30 x 0.50 x 0.80
'G'	m	0.30 x 0.30 x 0.95

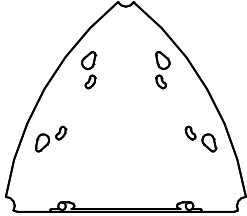
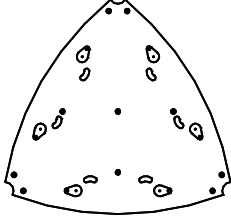
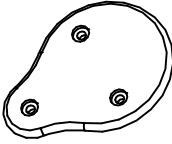
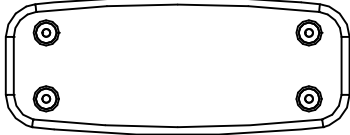
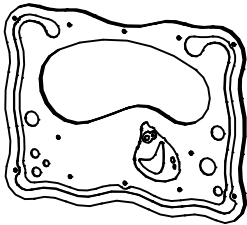
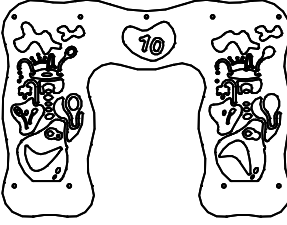
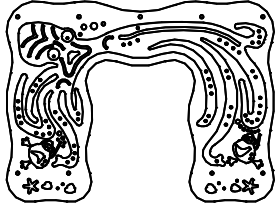
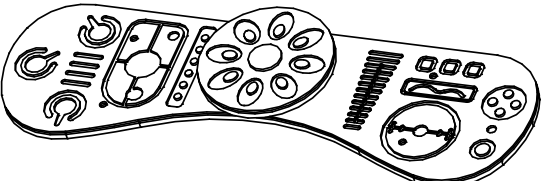
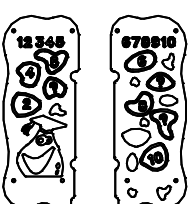


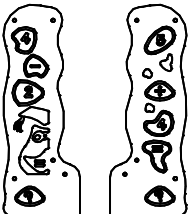
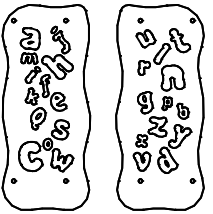
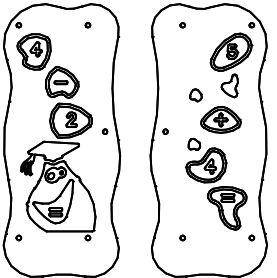
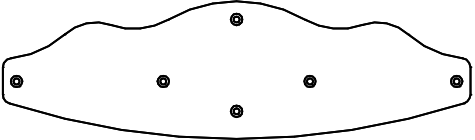
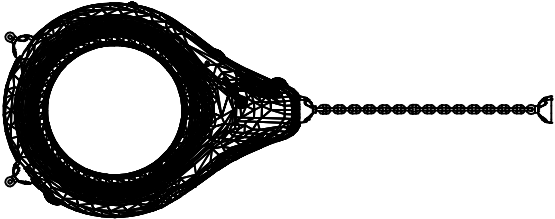
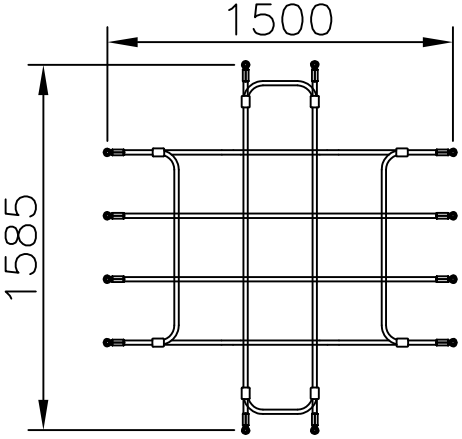
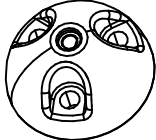

1 PARTS LIST

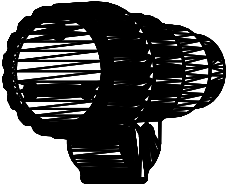
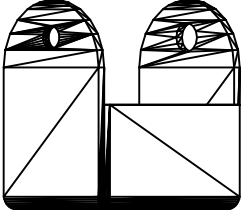
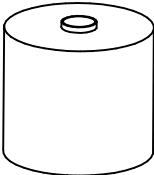
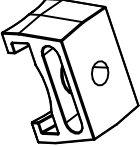
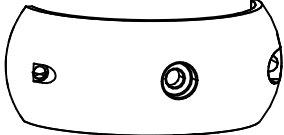
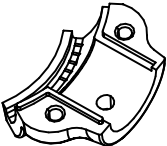

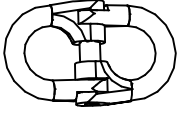

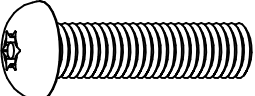
ITEM	REF		X-007/S	X-007/P	kg
1	55003740		1		50.00
2	55012900		2		30.00
3	55012600		3		27.00
4	55041225		2		15.00
5	55021401		2		10.00
6	55020409		1		15.50

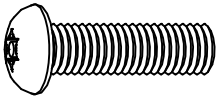
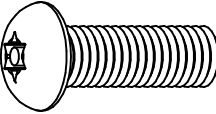
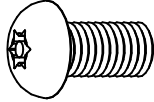
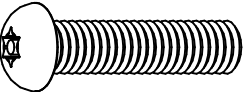
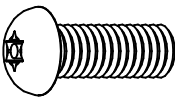
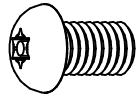
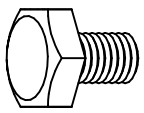
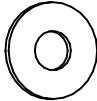
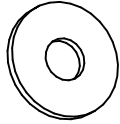
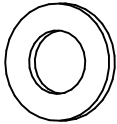
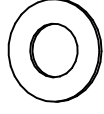
ITEM	REF		X-007/S	X-007/P	kg
7	55023130		1		11.50
8	55043002		1 PAIR		7.00
9	55043001		1		31.00
10	55021200		1		10.00
11	55021300			1	7.50
12	55021301			1	3.00
13	55021082		3		2.50
14	55020332		2 PAIR		2.00

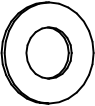
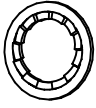
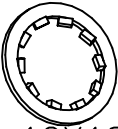
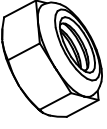
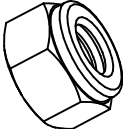
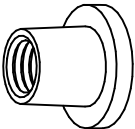
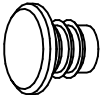
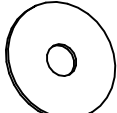
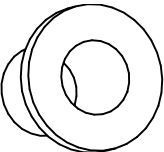
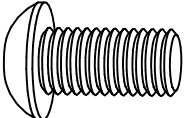
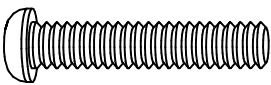
ITEM	REF		X-007/S	X-007/P	kg
15	55021087		1		5.00
16	55020911		1		6.00
17	55020880		2		3.50
18	45031200		1		30.00
19	70032701		1		4.50
20	45039001		1		5.80
21	55081200			1	91.00
22	55090040		1		16.00

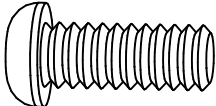
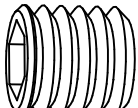

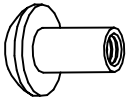
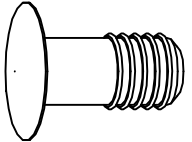
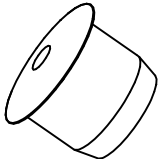
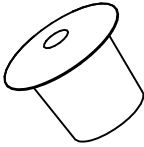
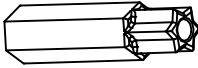
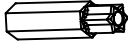

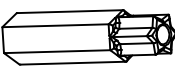
ITEM	REF		X-007/S	X-007/P	kg
23	55090050			1	16.00
24	55090010		1		16.00
25	55090601		3		1.00
26	55093001		3		2.50
27	55090401		1		10.00
28	55090205		1		9.00
29	55090201		1		9.00
30	55090402		1		6.00
31	55090501		1 PAIR		8.00


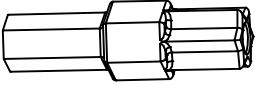
ITEM	REF		X-007/S	X-007/P	kg
32	55090503			1 PAIR	6.00
33	55090611			2 PAIR	8.00
34	55093002			1 PAIR	8.00
35	55090030			1	4.00
36	55062010			1	12.00
37	55050020			1	8.00
38	55030199			4	0.50
39	38008027			6	1.50

ITEM	REF		X-007/S	X-007/P	kg
40	55080010		1		0.50
41	55080011		1		0.50
42	55080012		1		0.25
43	55030899		6		0.15
44	55030799		48		0.20
45	55030399		30		0.10
46	55030499		30		0.10
47	15715000		14		0.10
48	10121065	 M10 X 65	1		0.050
49	10121040	 M10 X 40	115		0.037

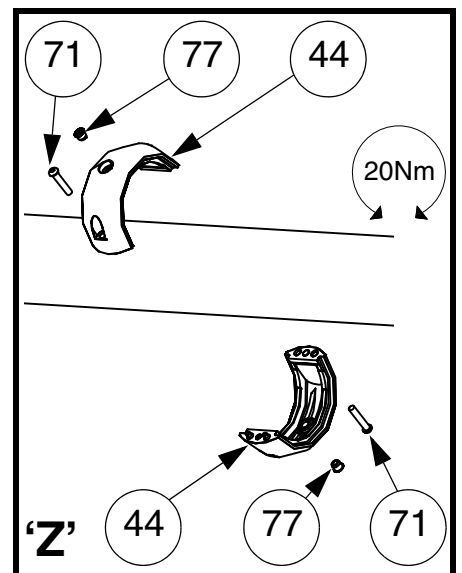
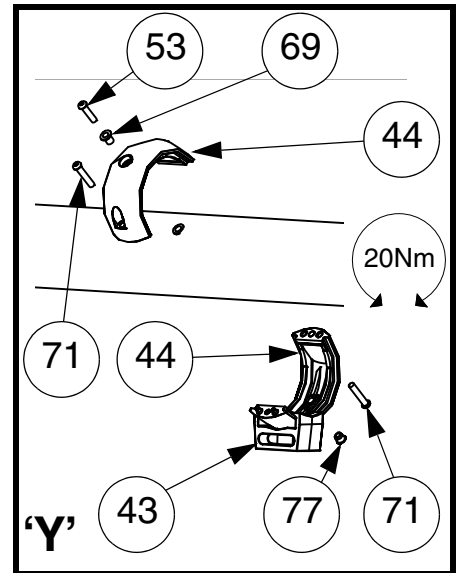
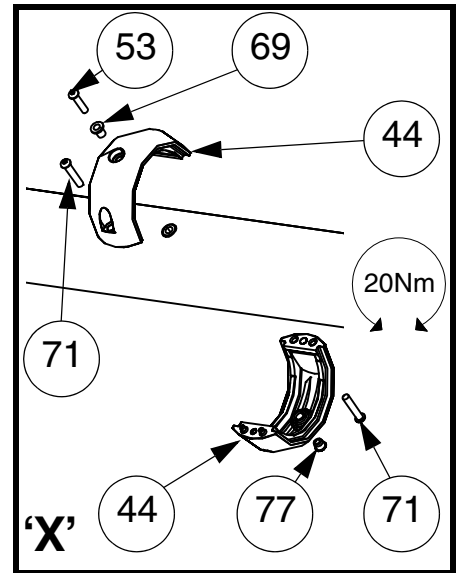
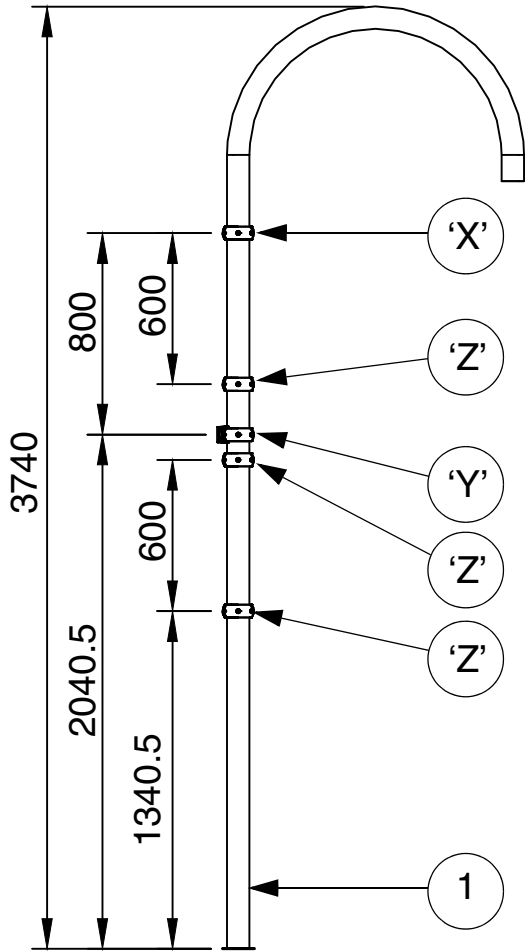
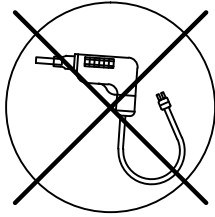
ITEM	REF		X-007/S	X-007/P	kg
50	10121035	 M10 X 35	9		0.032
51	10121030	 M10 X 30	11	13	0.028
52	10121020	 M10 X 20	6		0.020
53	10120625	 M6 X 25	14		0.011
54	10120616	 M6 X 16	12		0.007
55	10120610	 M6 X 10	4		0.005
56	10251016	 M10 X 16	4		0.020
57	10303212	 T5 13X32X2.6	6		0.011
58	10309999	 M10 11X30X2.5	4		0.011
59	10291200	 M12 13X24X2.5	4		0.006
60	10291000	 M10 11X21X1	126	128	0.002

ITEM	REF		X-007/S	X-007/P	kg
61	10290600	 M6 6.4X12.6X1	12		0.005
62	10301200	 M12 13X20X1	6		0.002
63	10301000	 M10 12X18X1	15		0.002
64	10261000	 M10	4		0.010
65	10260600	 M6	4		0.002
66	10931000	 M10	6		0.020
67	10930600	 M6	12		0.035
68	10304010	 M10 11X40X1.5		2	0.003
69	14104942		14		0.001
70	14101225	 1/2" UNC X 1"	6		0.032
71	14104749	 1/4"UNC X 1-1/4"	48		0.007

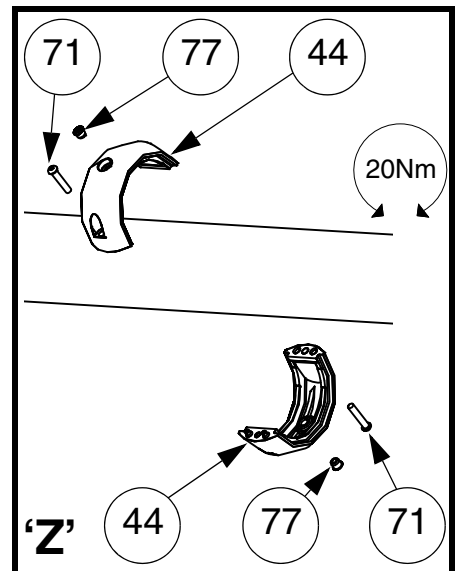
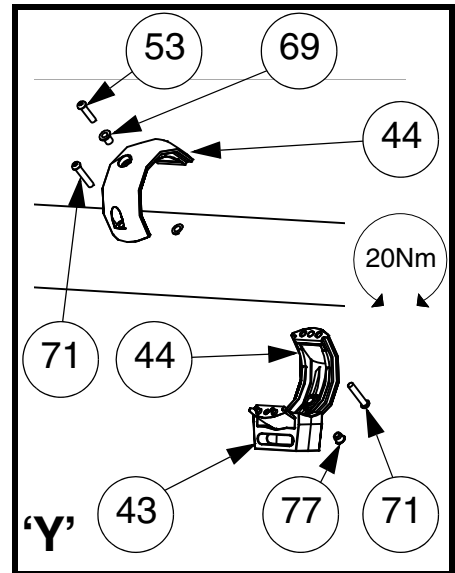
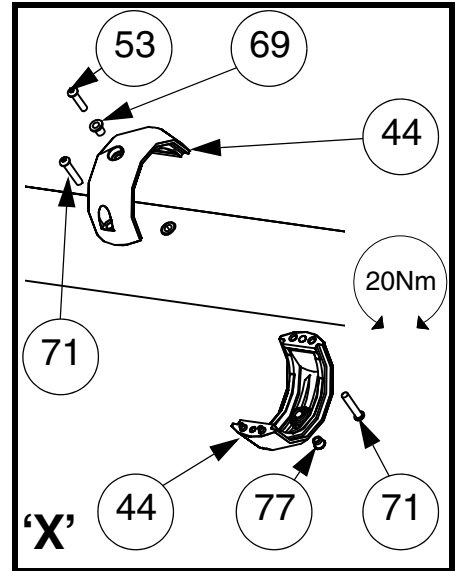
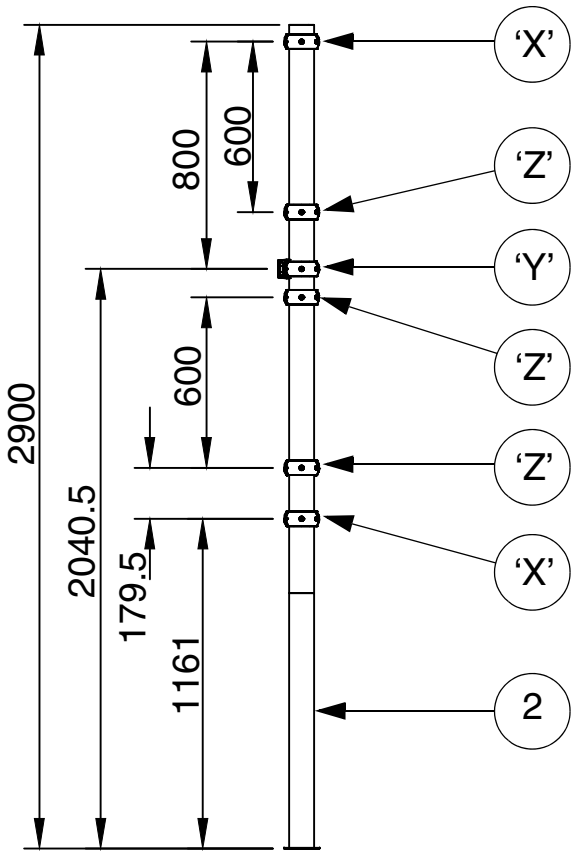
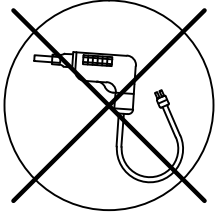
ITEM	REF		X-007/S	X-007/P	kg
72	14104750	 1/4"UNC X5/8"	60		0.005
73	14104285	 3/8"UNC X3/8"	30		0.003
74	14104963	 5/16"UNC X 3"	1		0.026
75	14110018	 5/16" UNC	1		0.018
76	19024501		12	9	0.001
77	19055030		34		0.001
78	19055040		13		0.001
79	10121000	 T45 M10	1		-
80	10120600	 T30 M6	1		-
81	10120500	 T27 1/4"UNC	2		-
82	10120900	 TX40 5/16"UNC	1		-

ITEM	REF		X-007/S	X-007/P	kg
83	10121001	 TX50 1/2"UNC	1		-
84	10121100	 T55 5/16"UNC	1		-

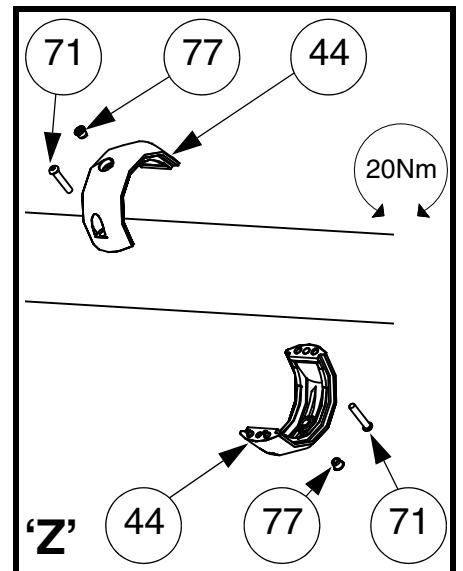
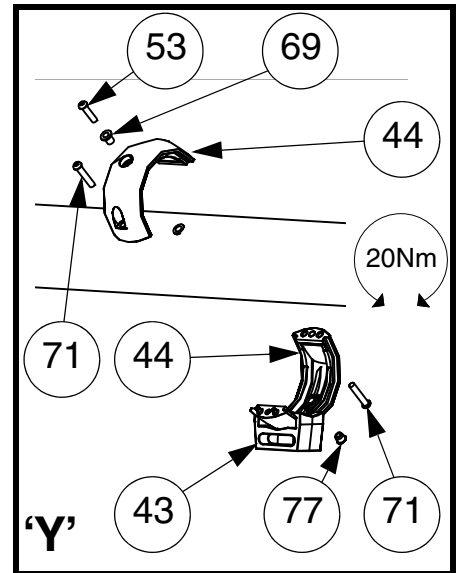
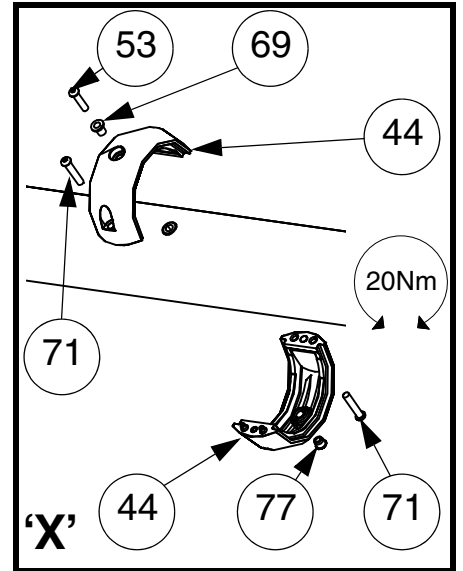
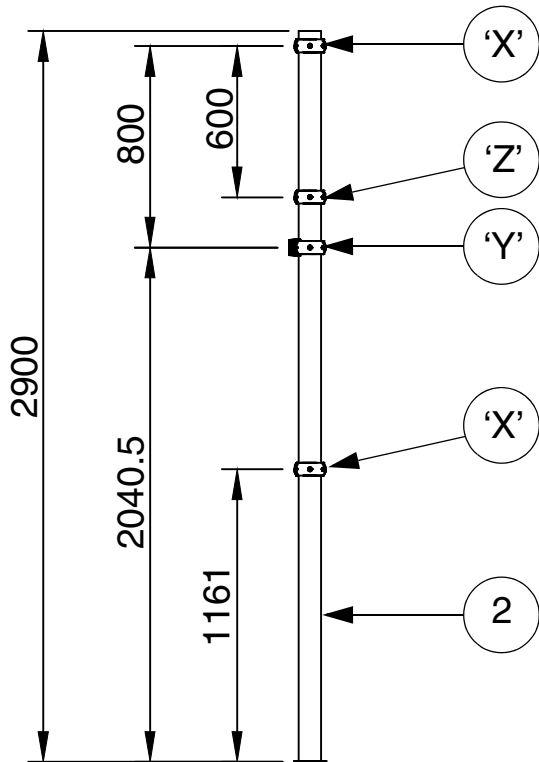
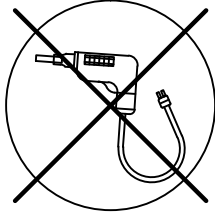
STEP 1



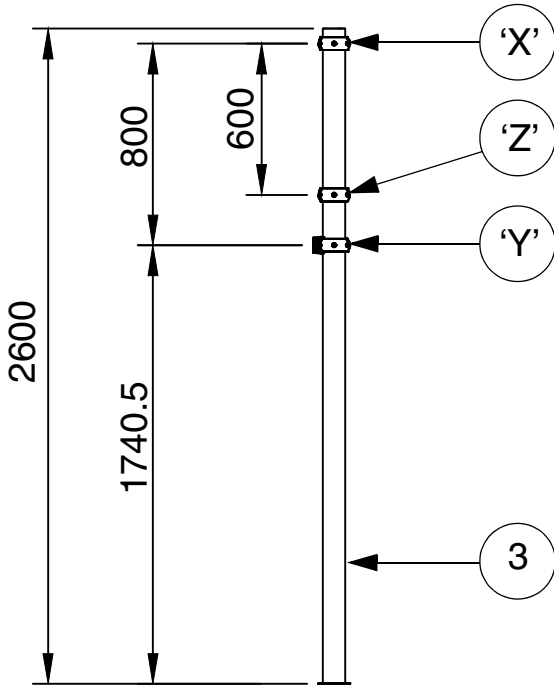
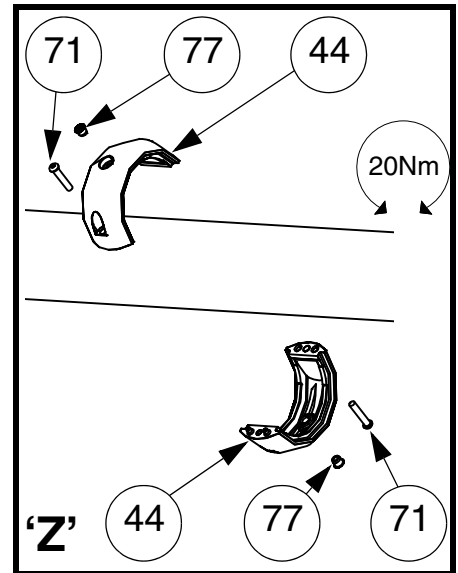
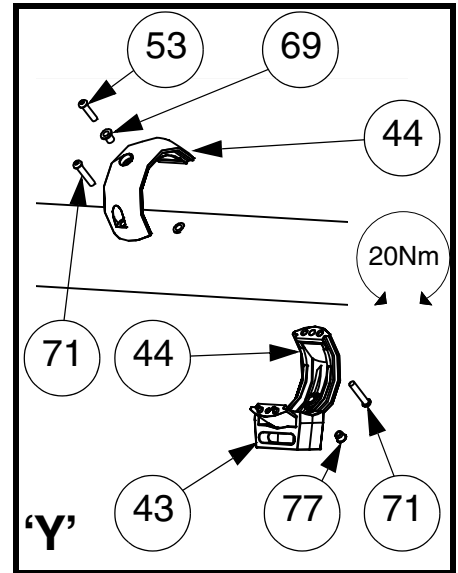
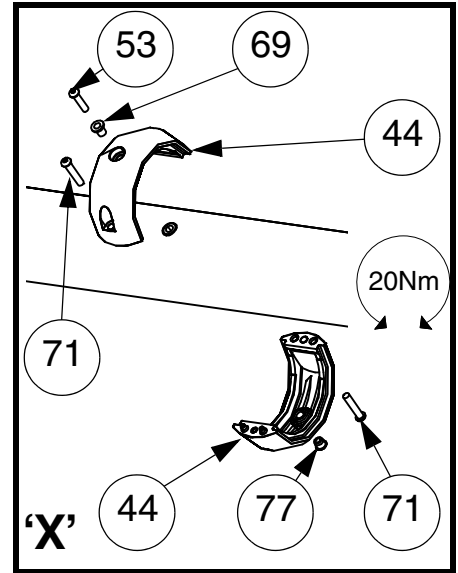
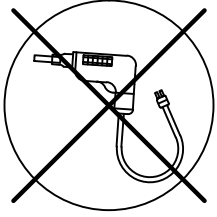
STEP 2



STEP 3

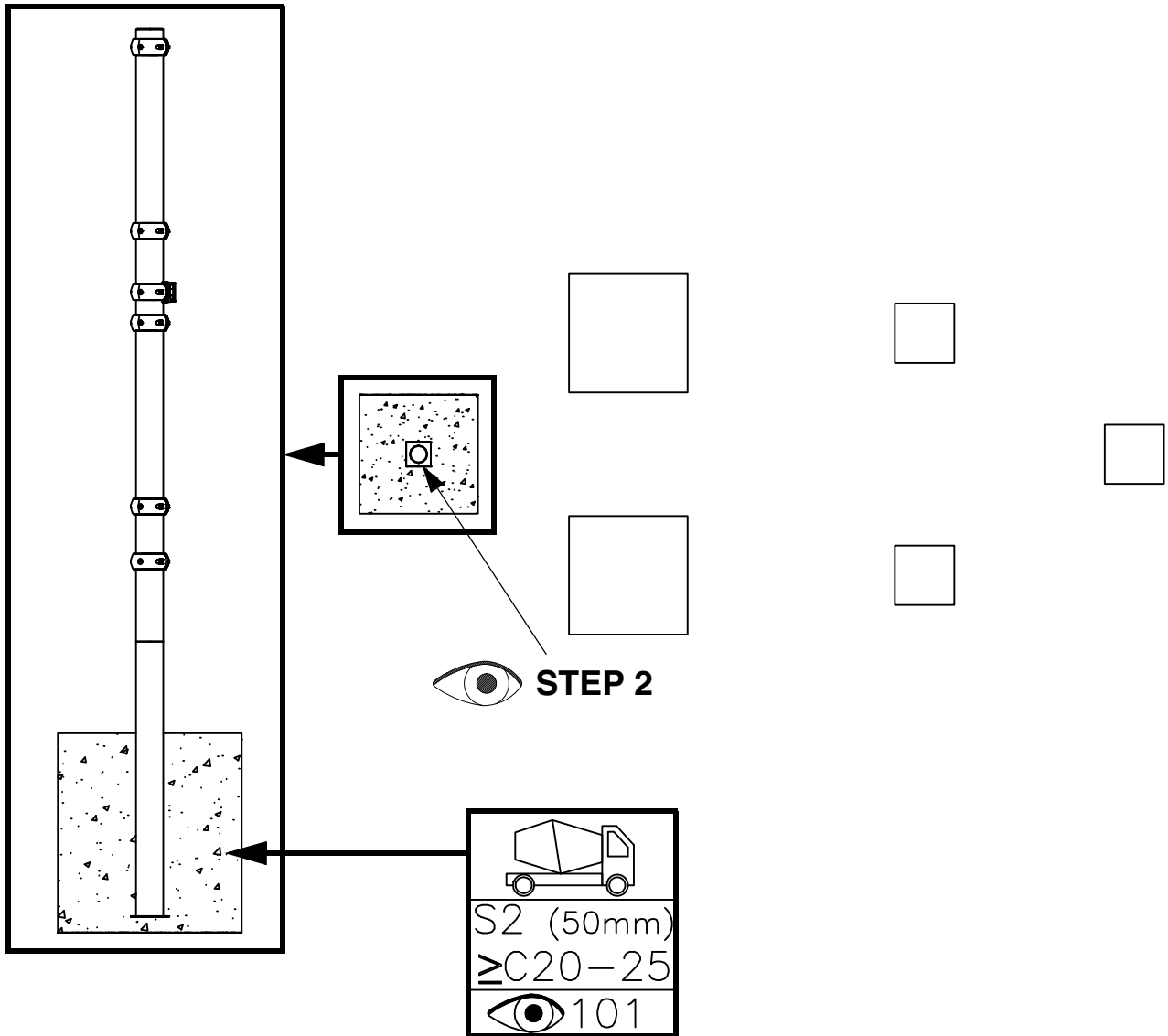


STEP 4



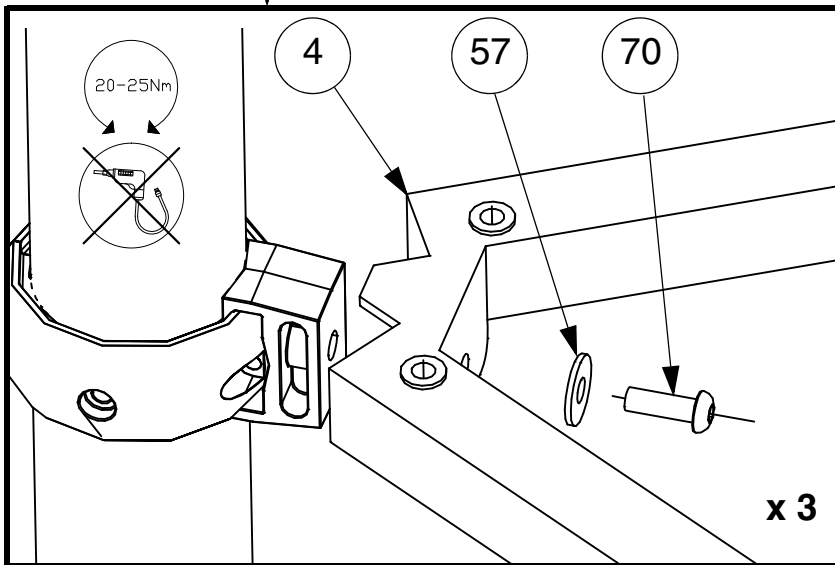
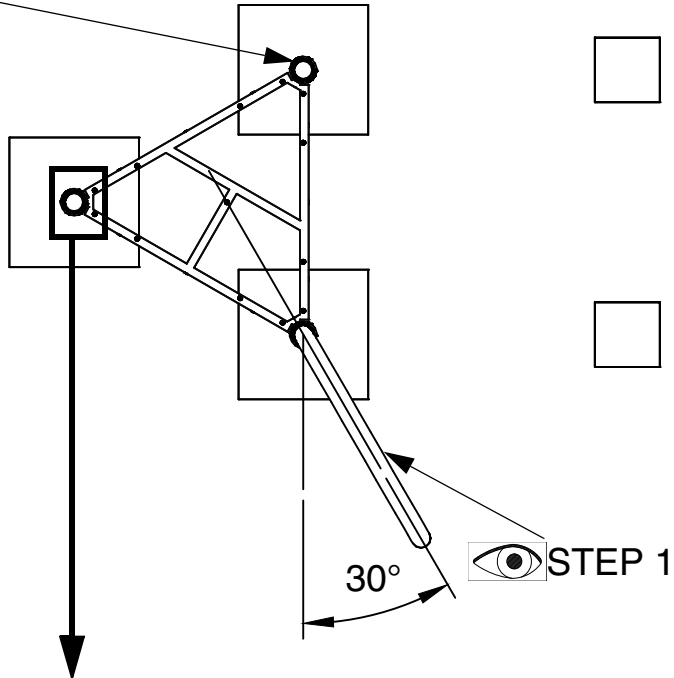
x 3

STEP 5

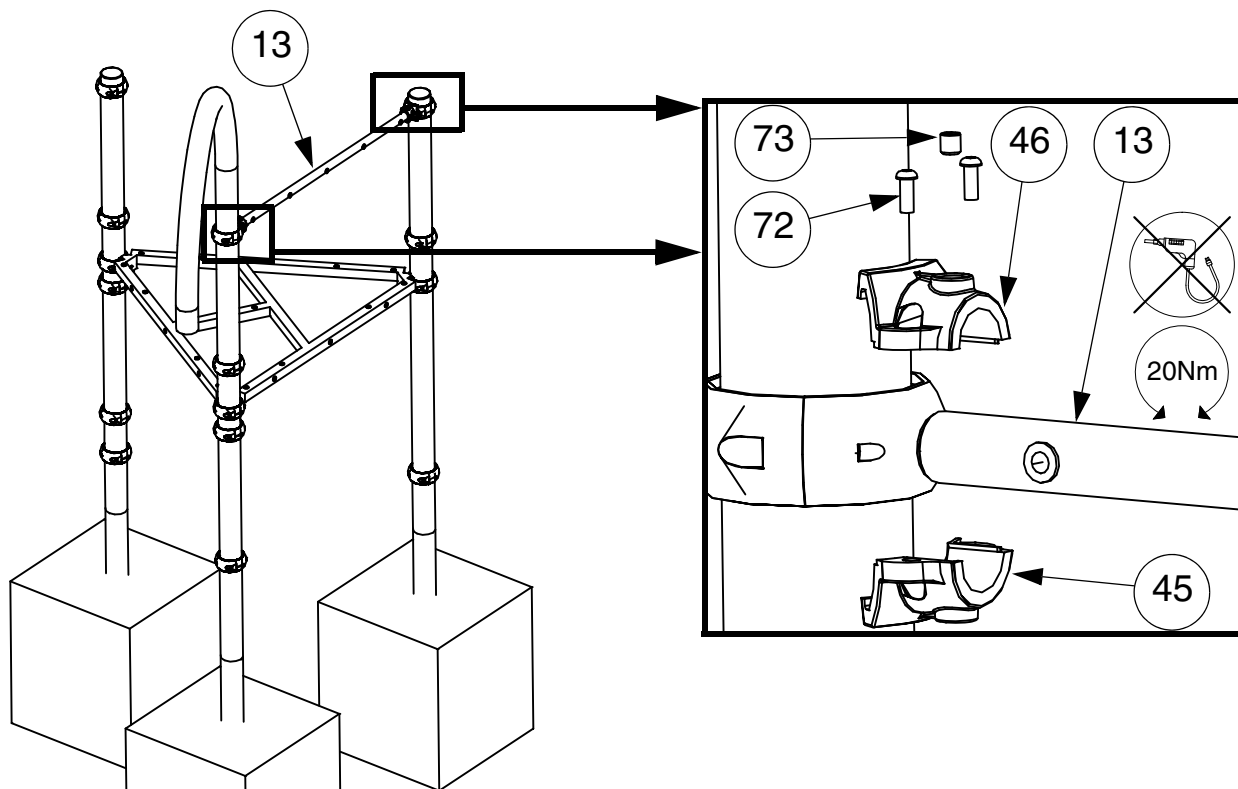


STEP 6

STEP 3

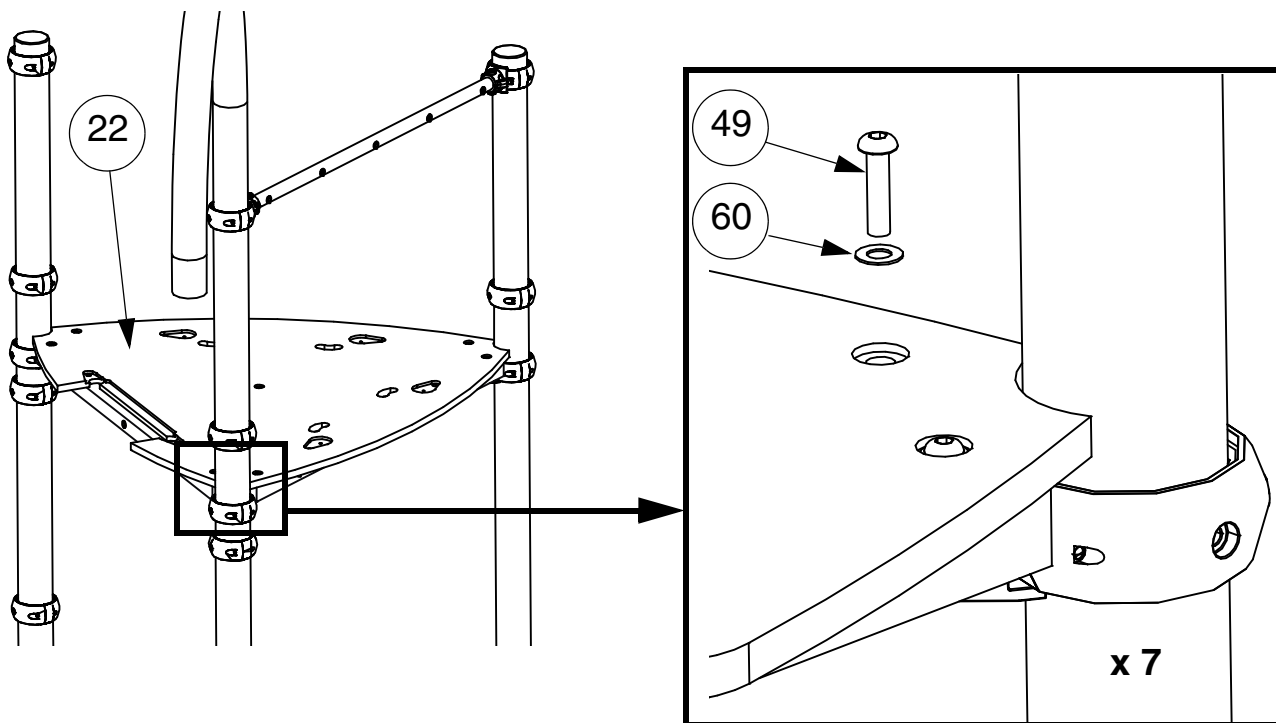


STEP 7

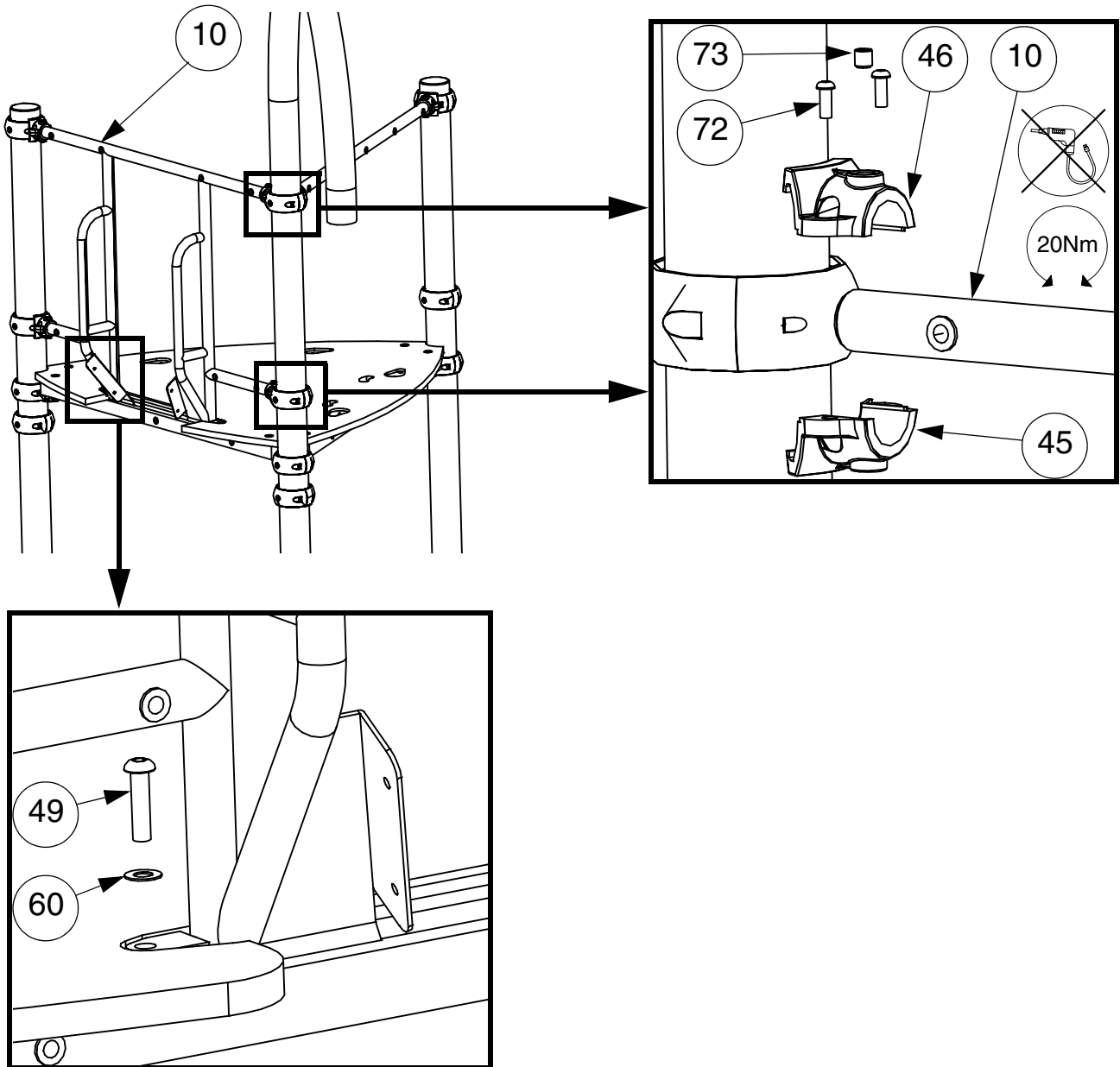


STEP 8

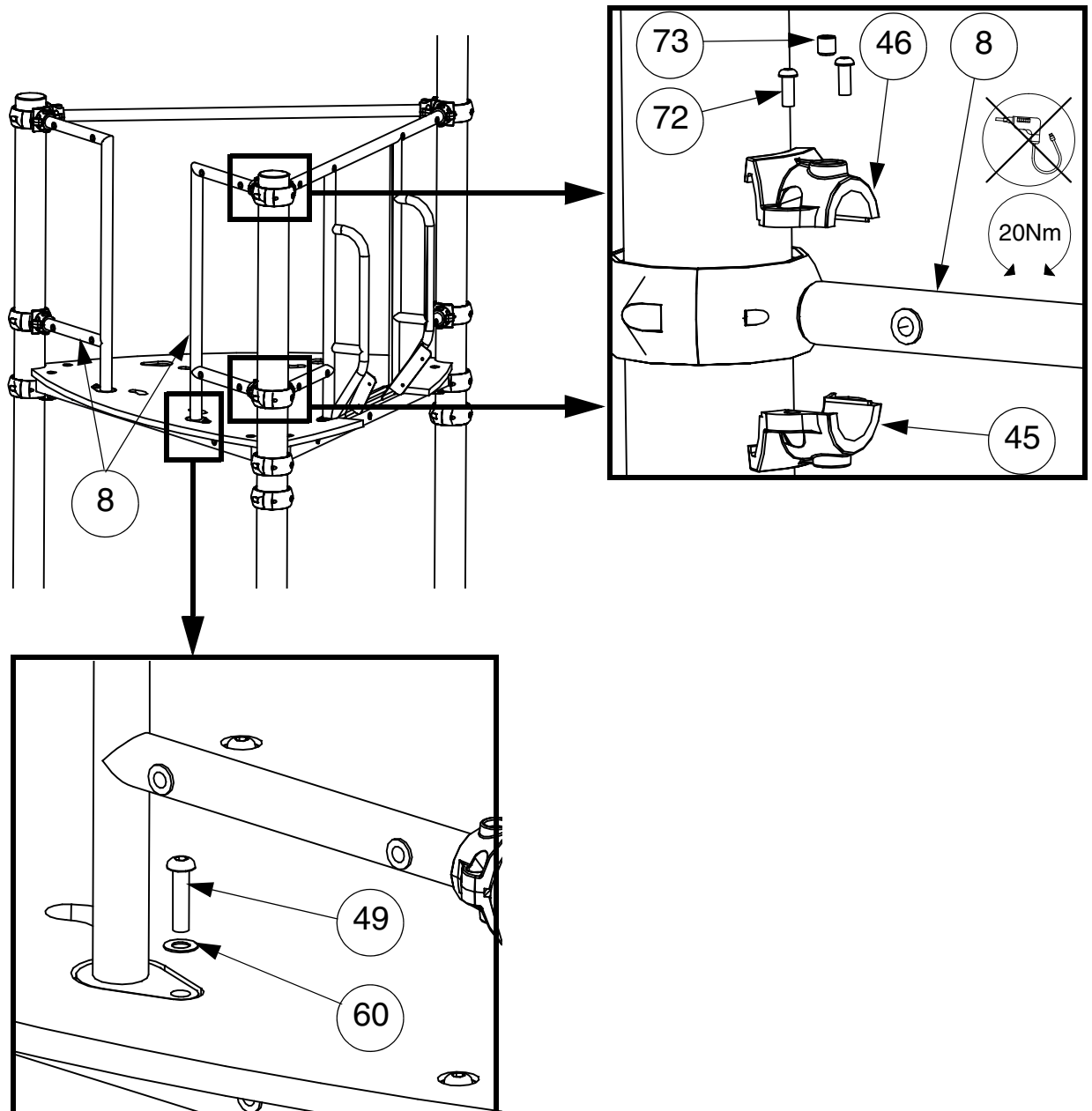
X-007/P   43



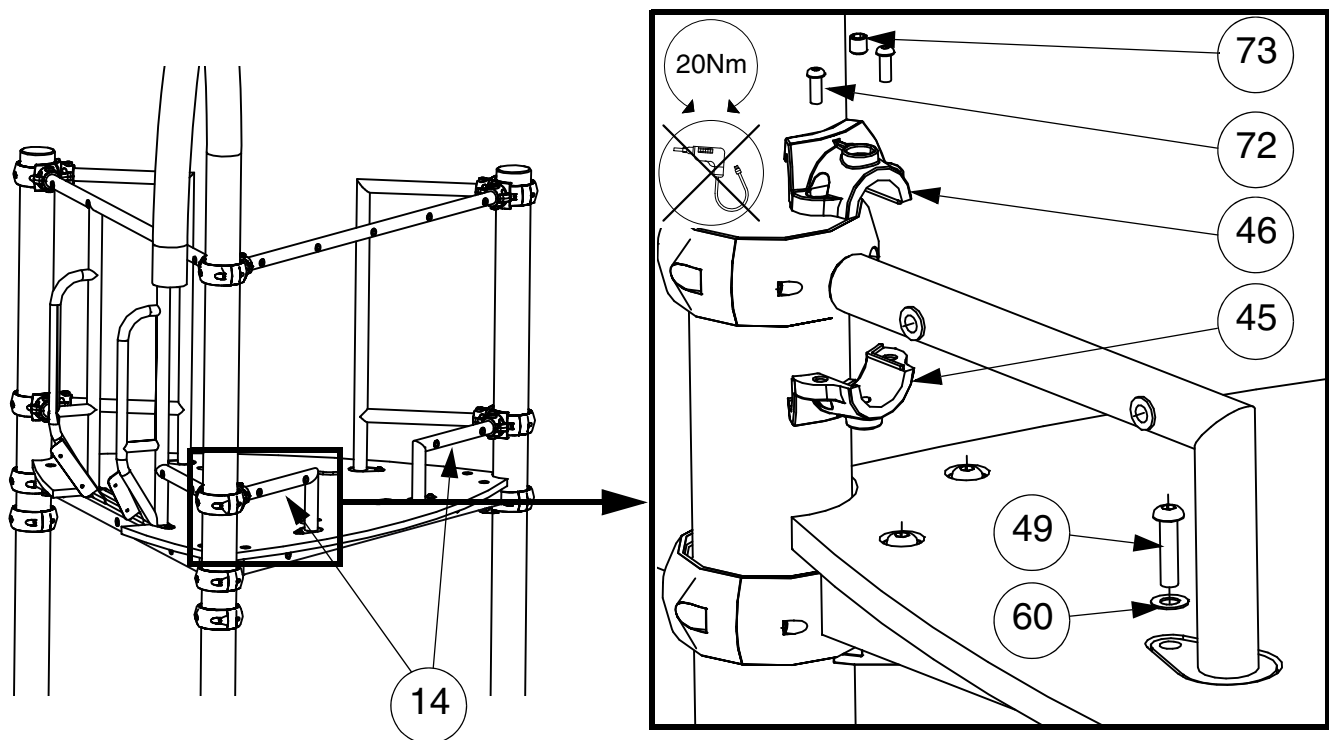
STEP 9



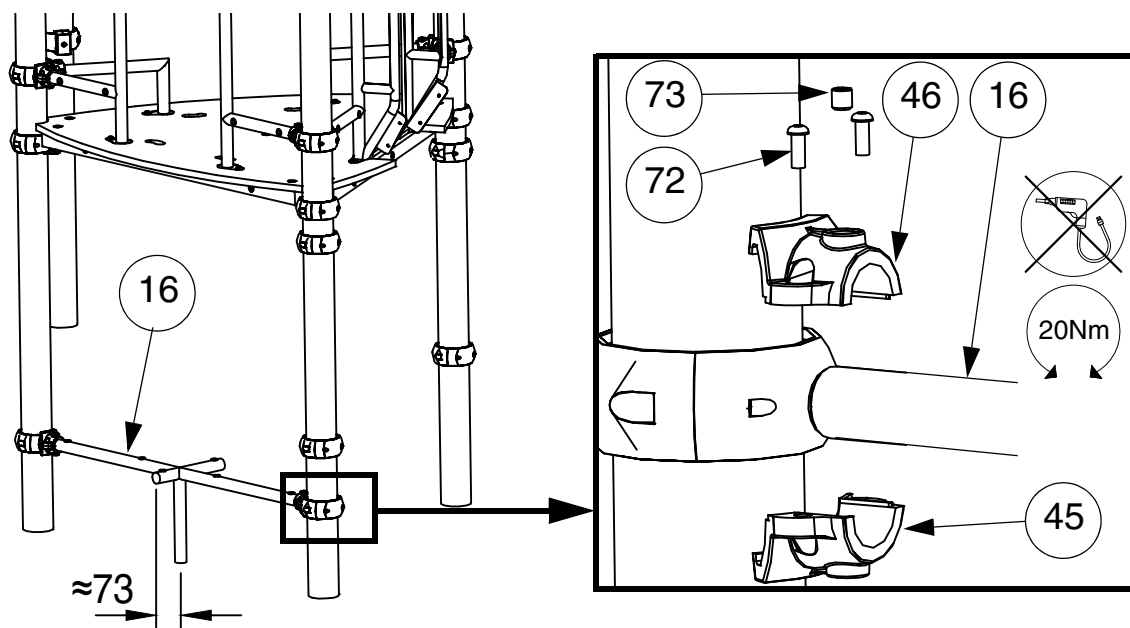
STEP 10



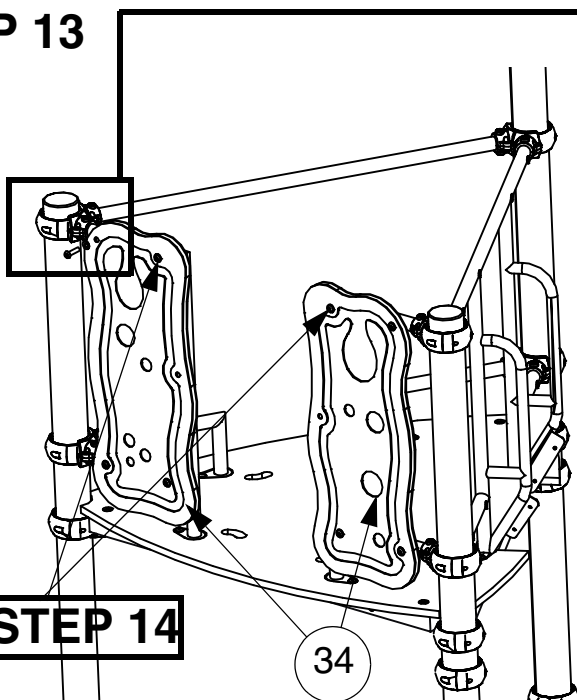
STEP 11



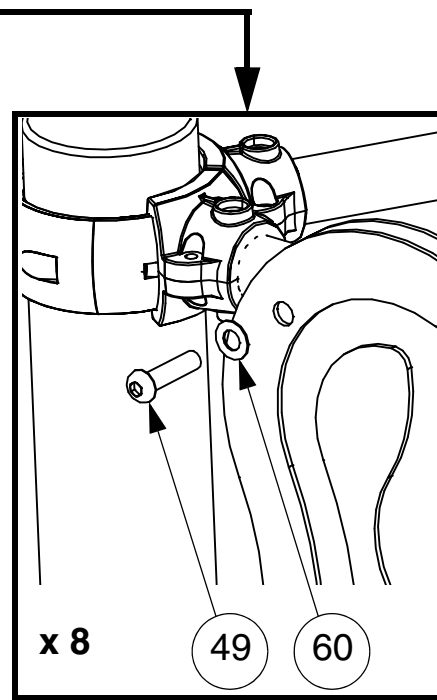
STEP 12



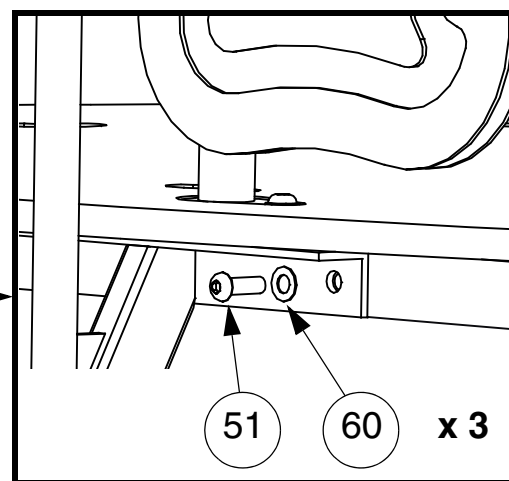
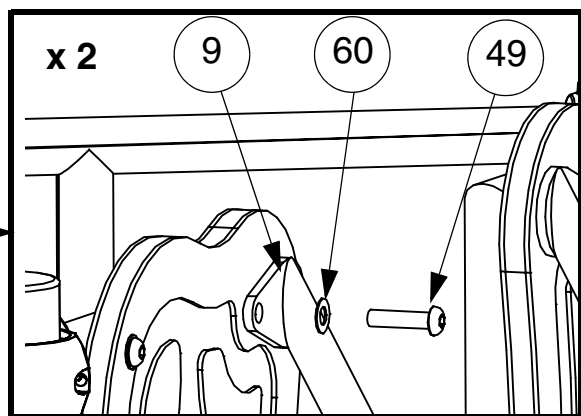
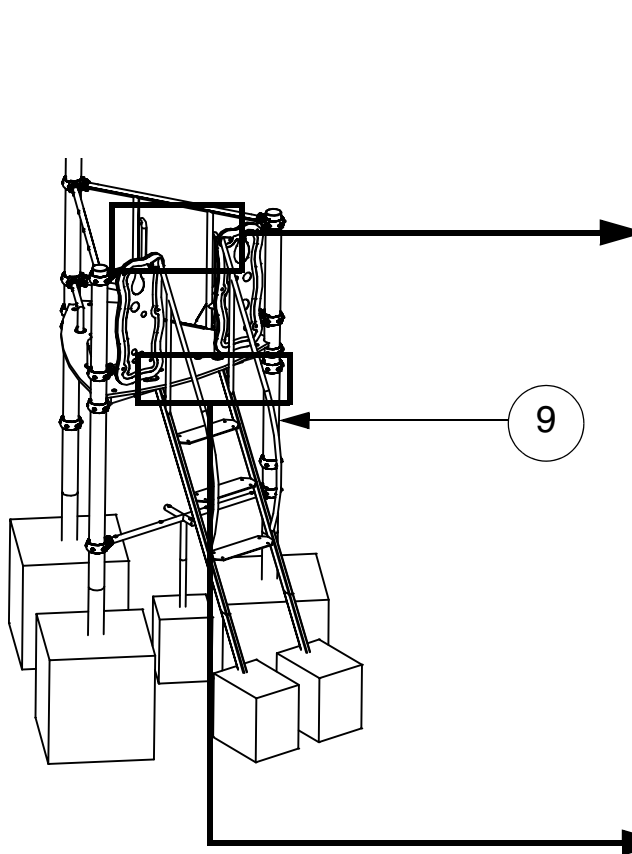
STEP 13



STEP 14

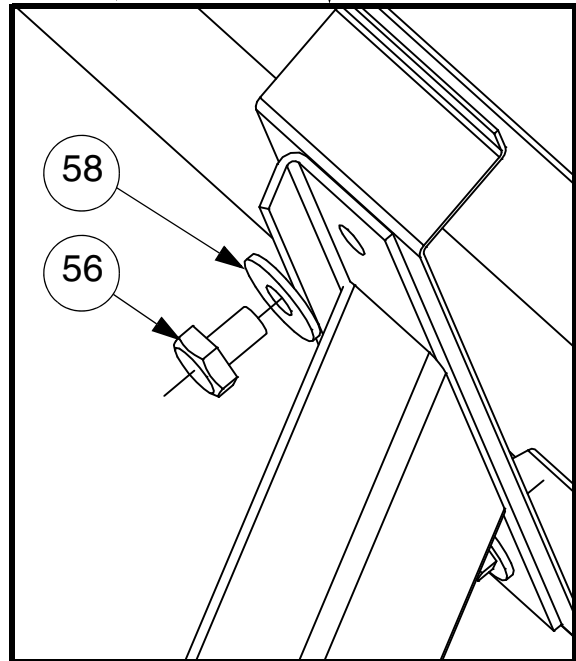
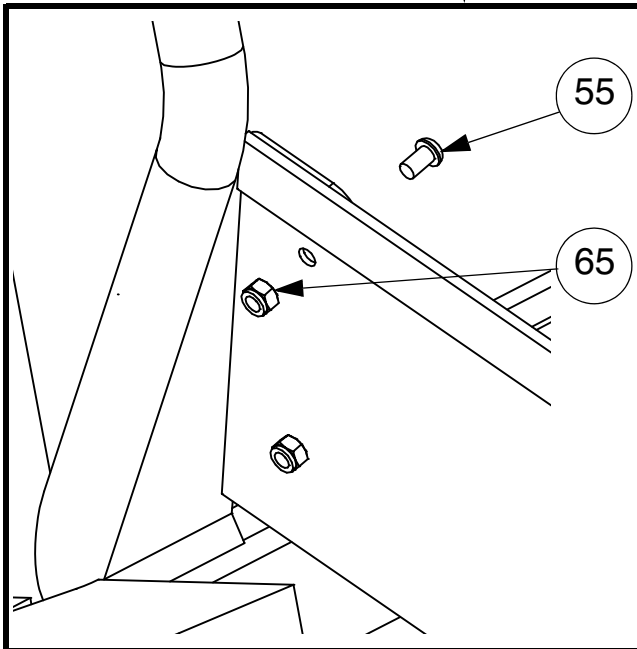
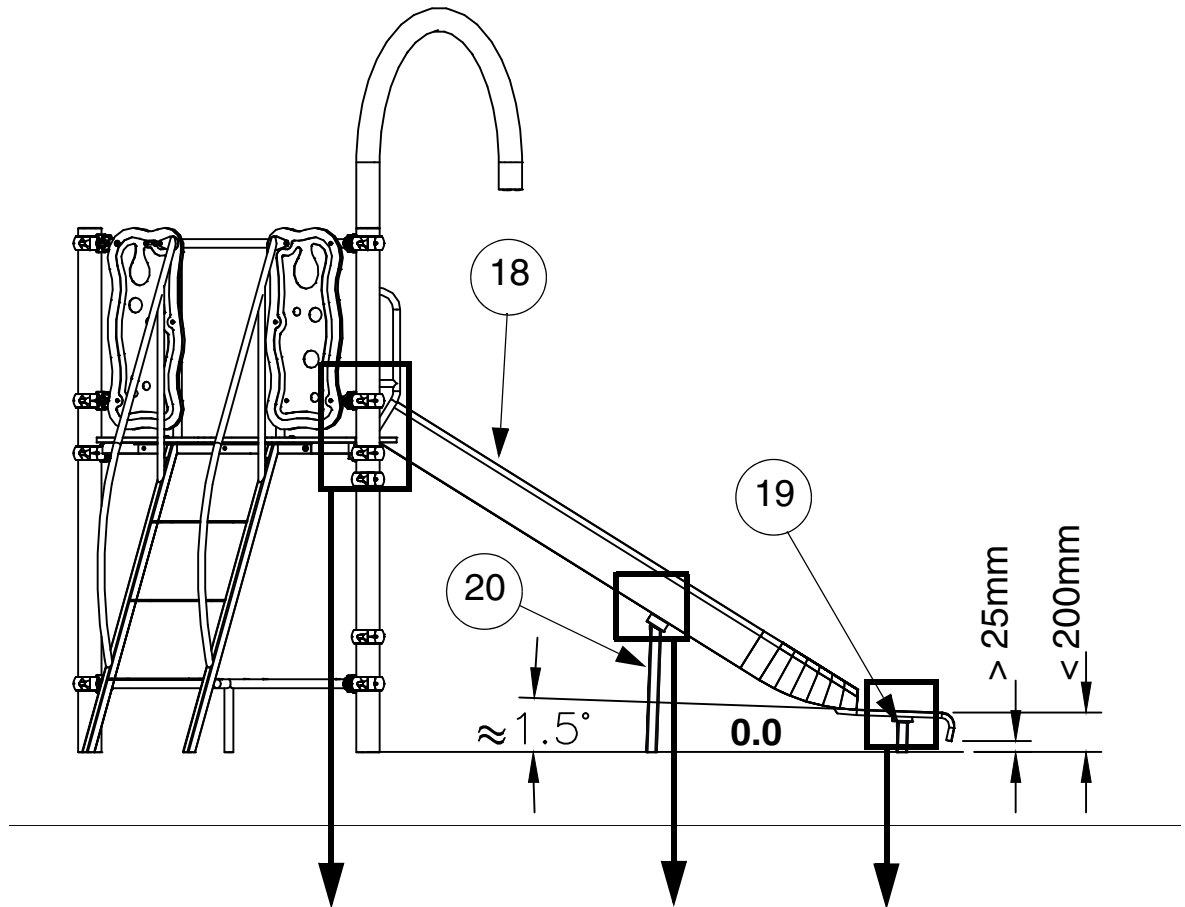


STEP 14

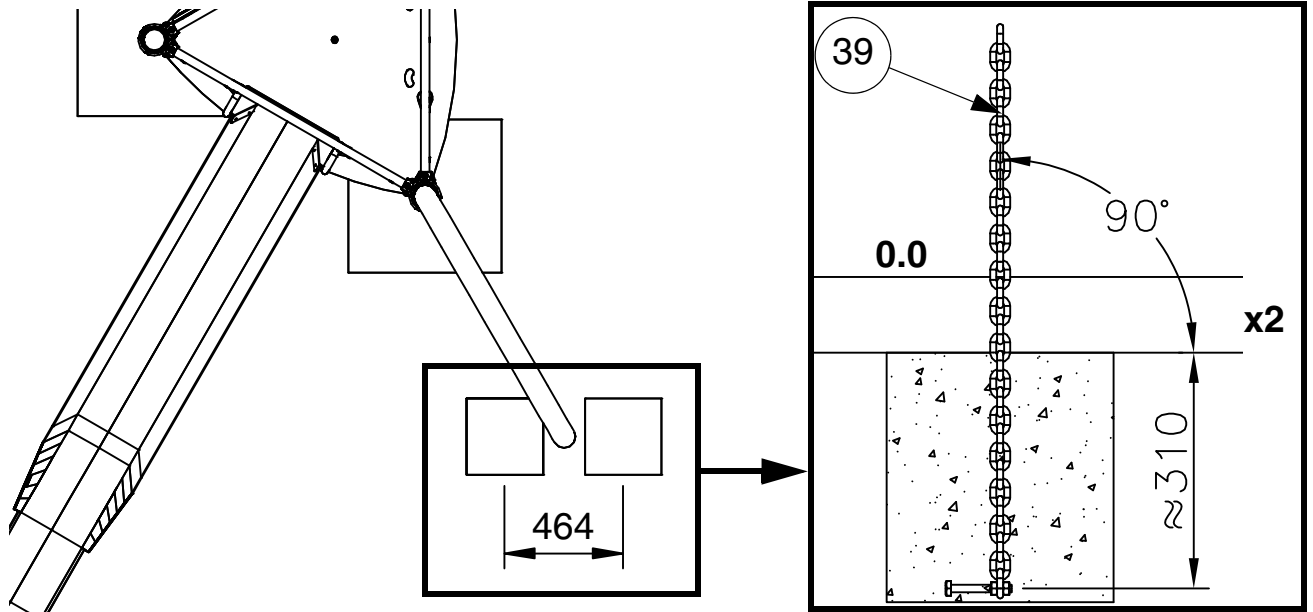


STEP 15

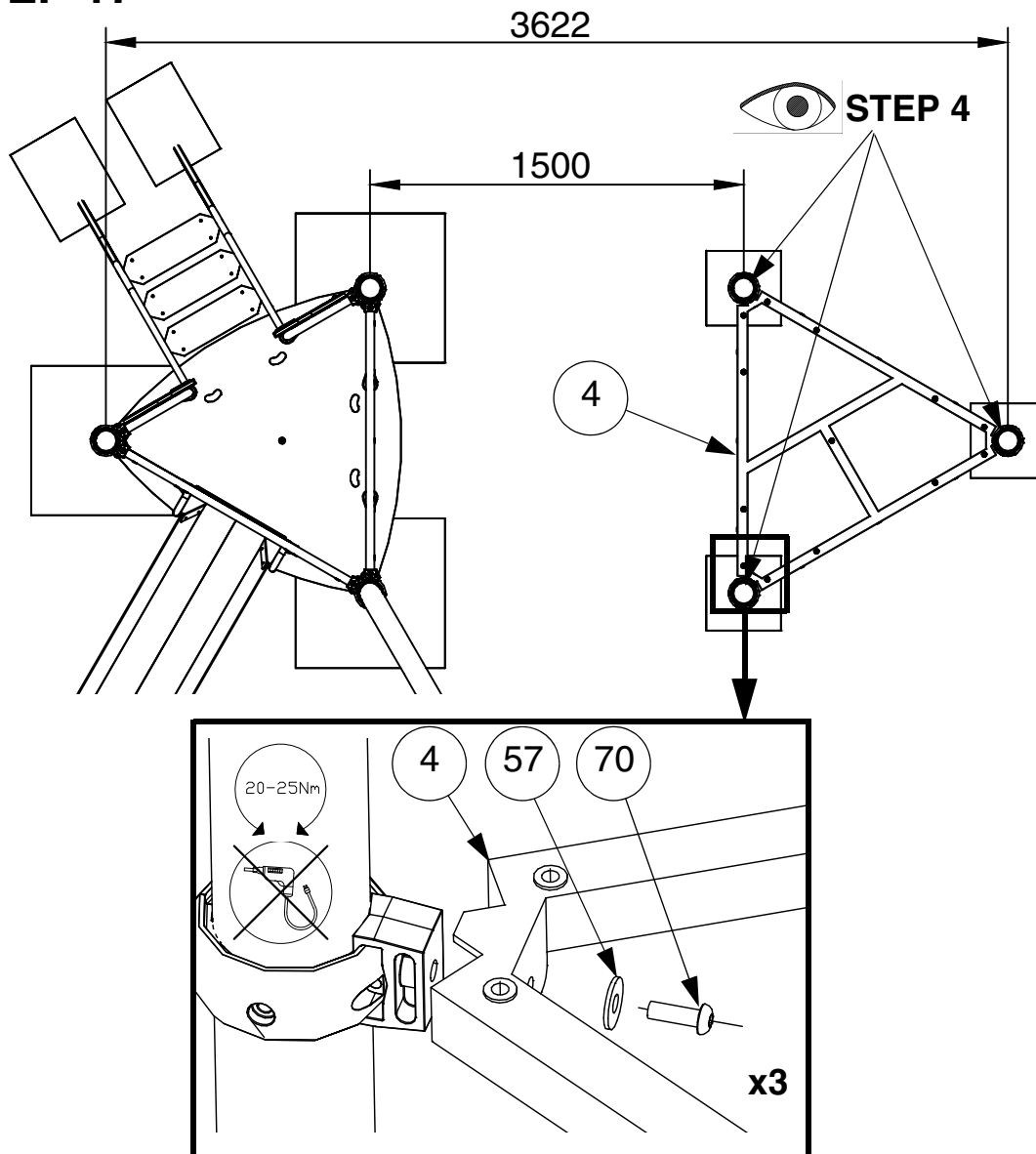
X-007/P   44



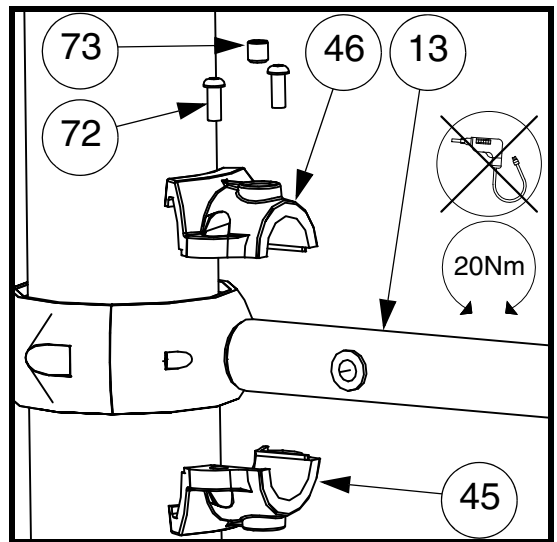
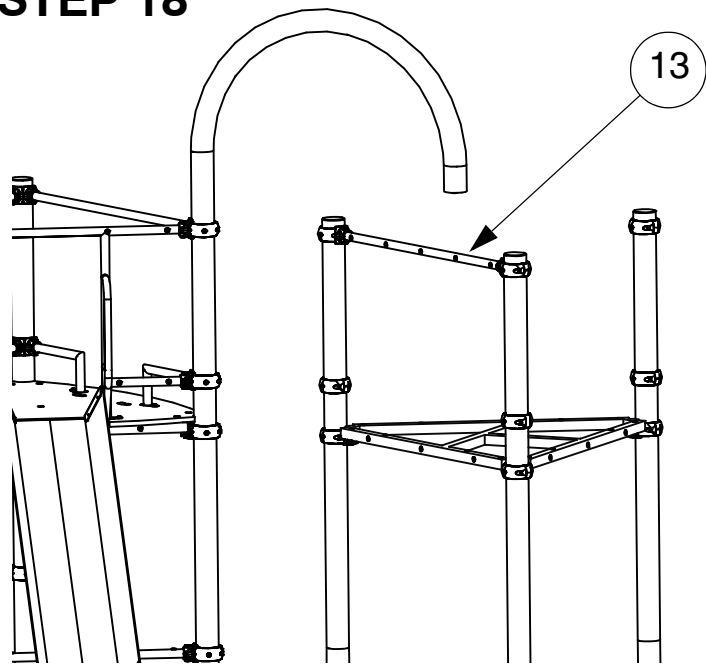
STEP 16



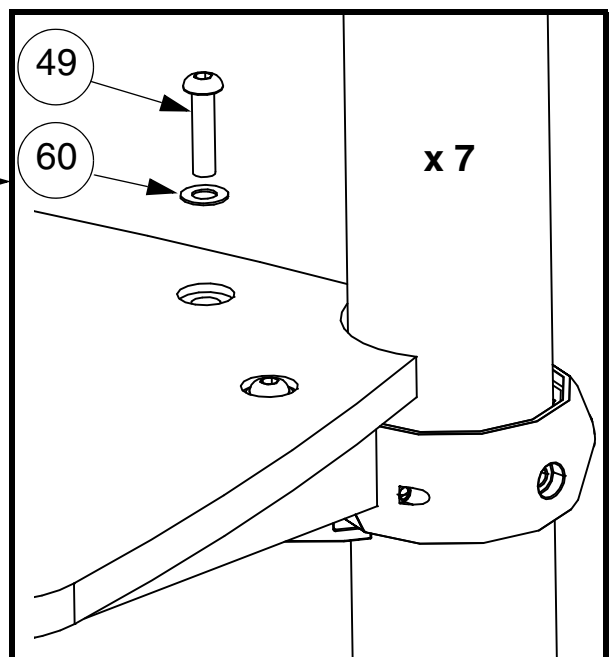
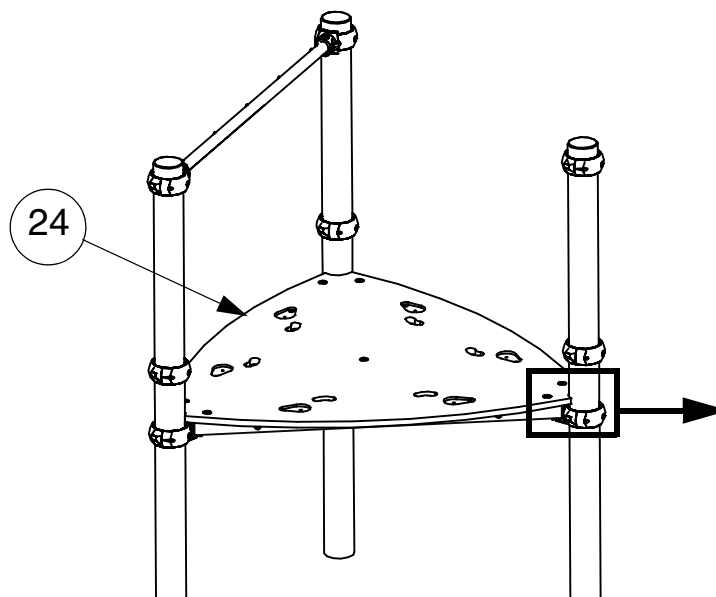
STEP 17



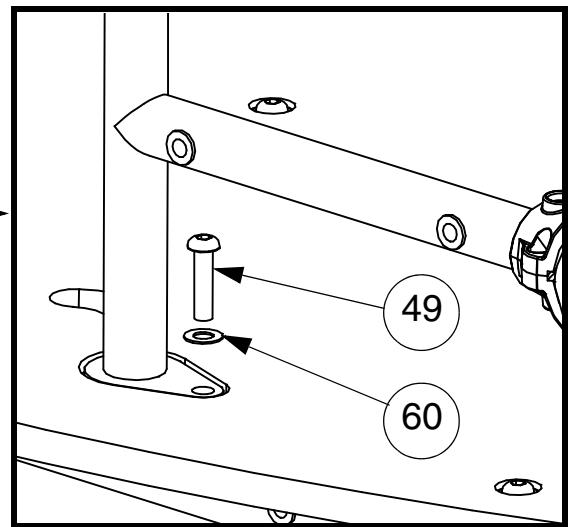
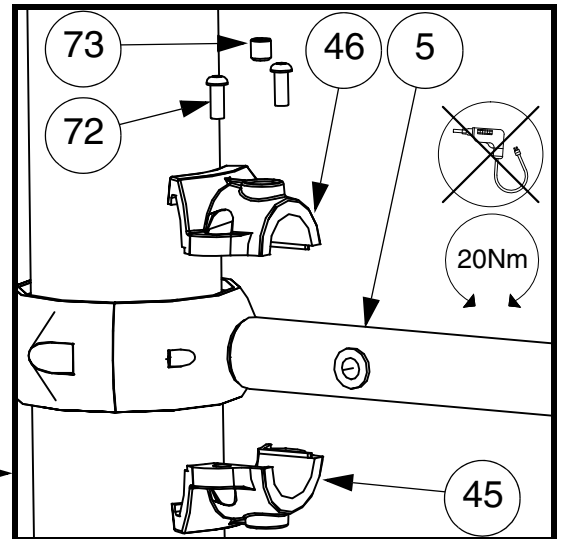
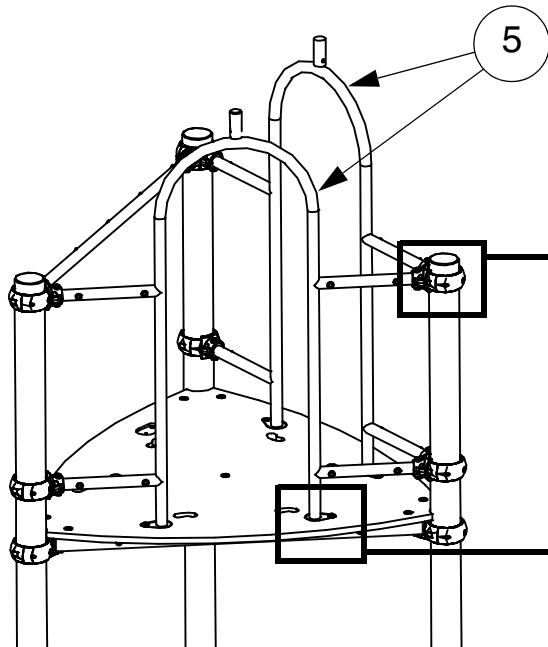
STEP 18



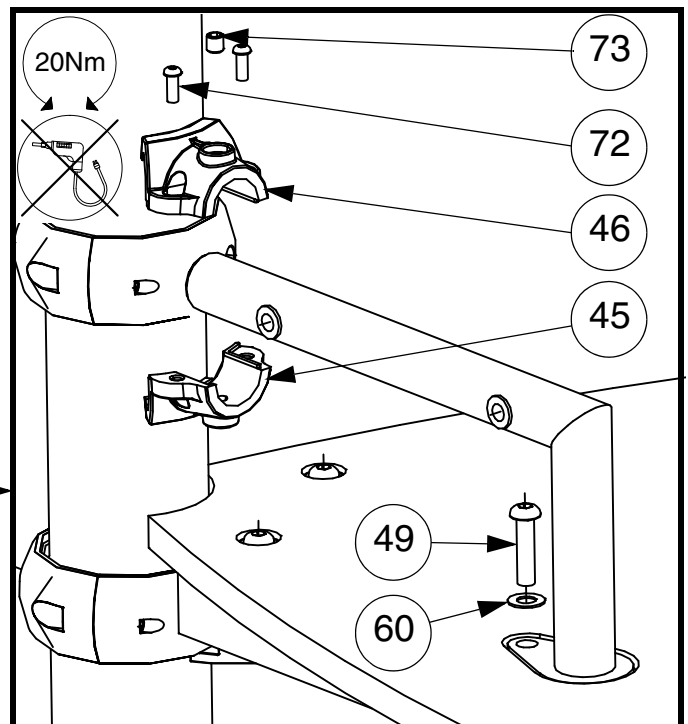
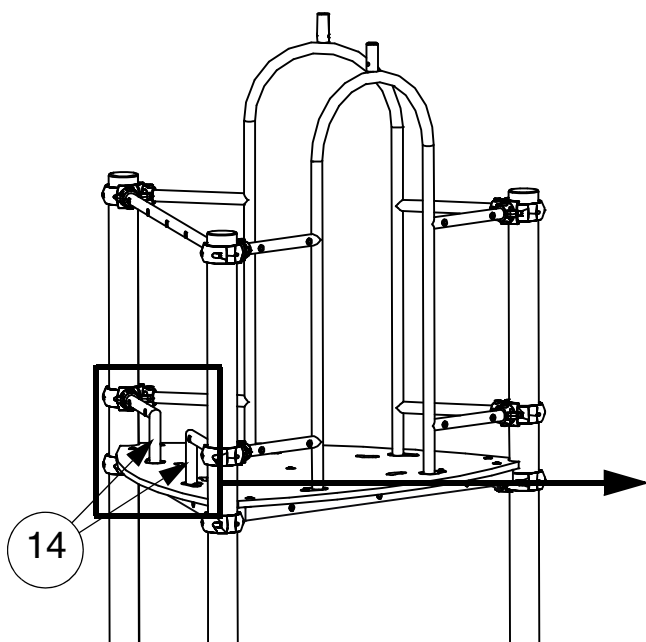
STEP 19



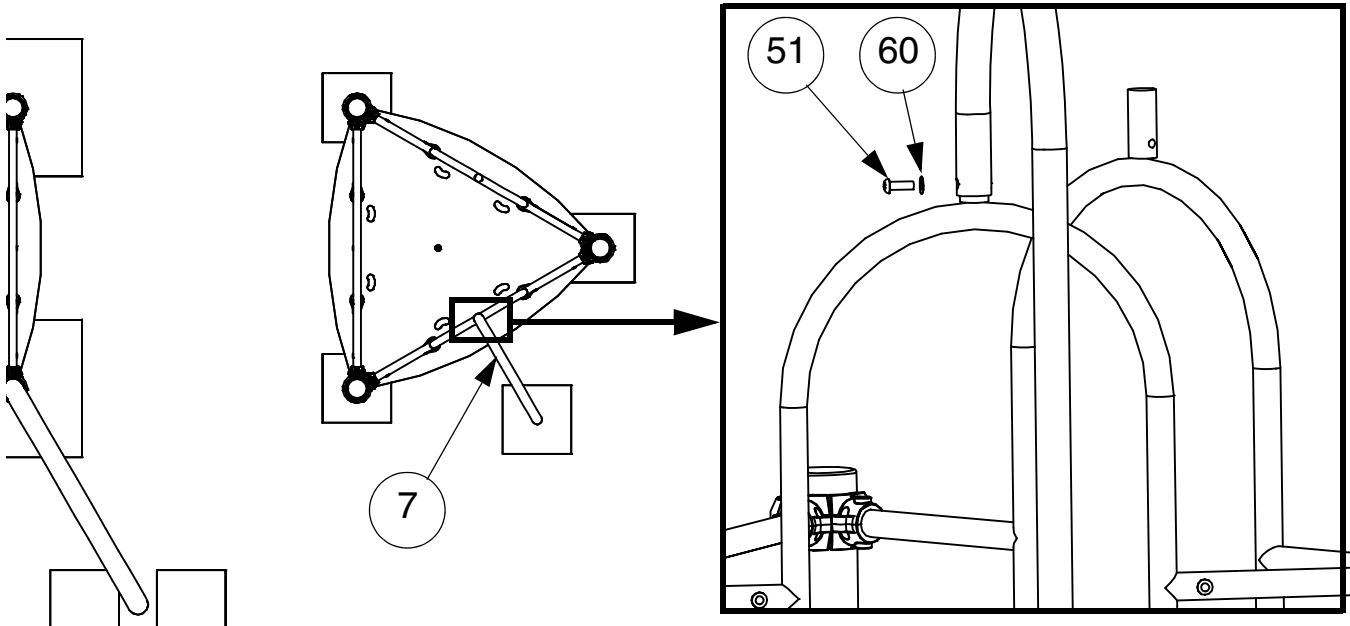
STEP 20



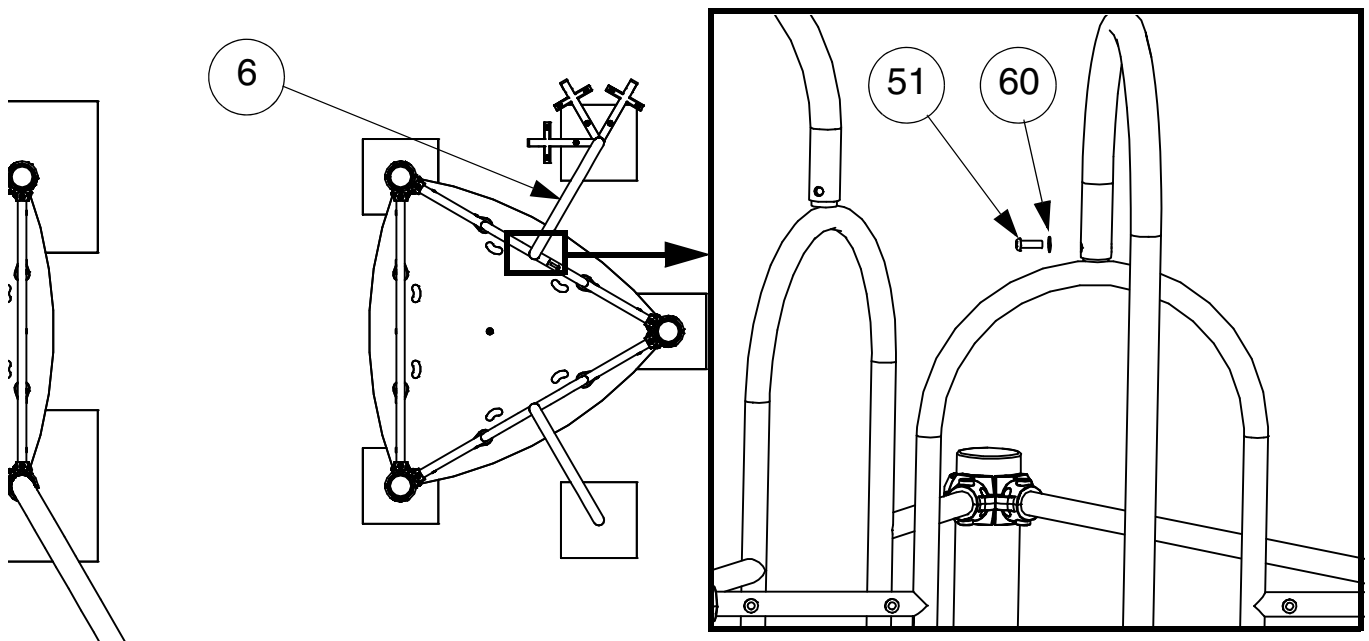
STEP 21



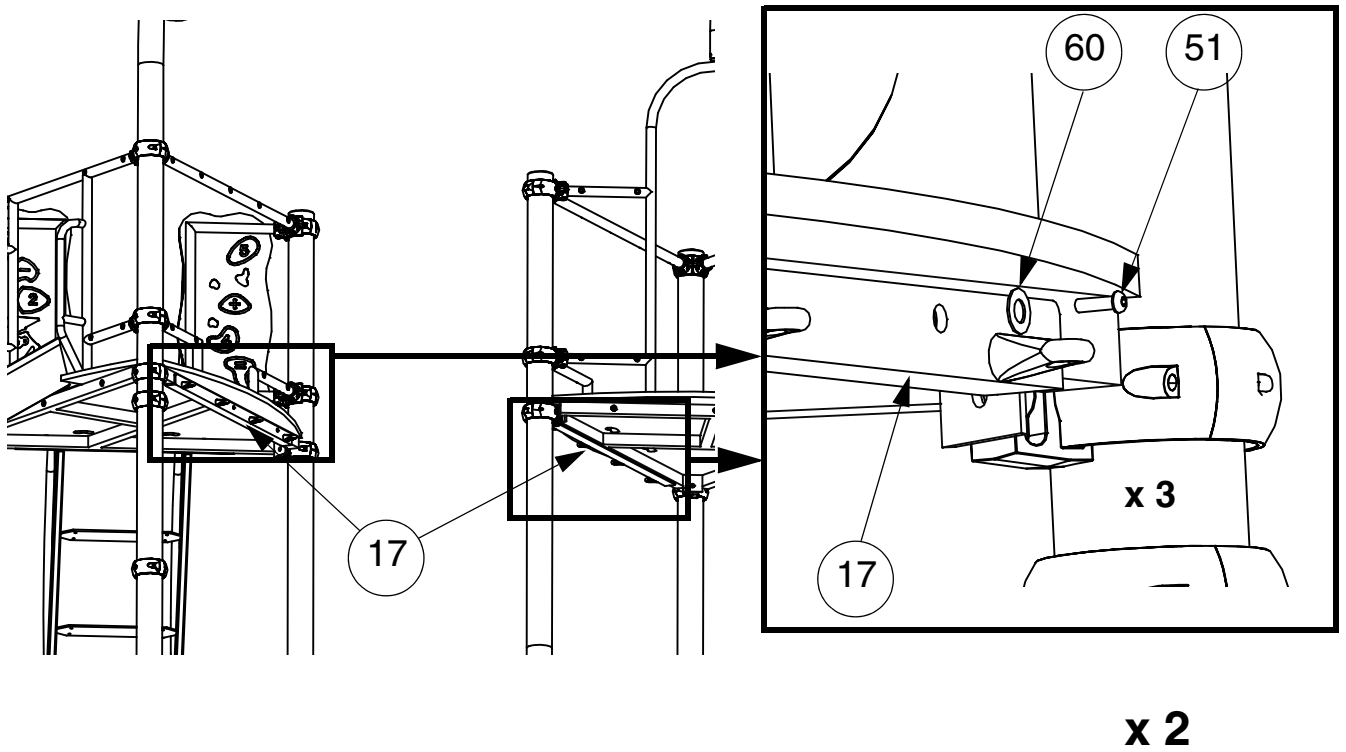
STEP 22



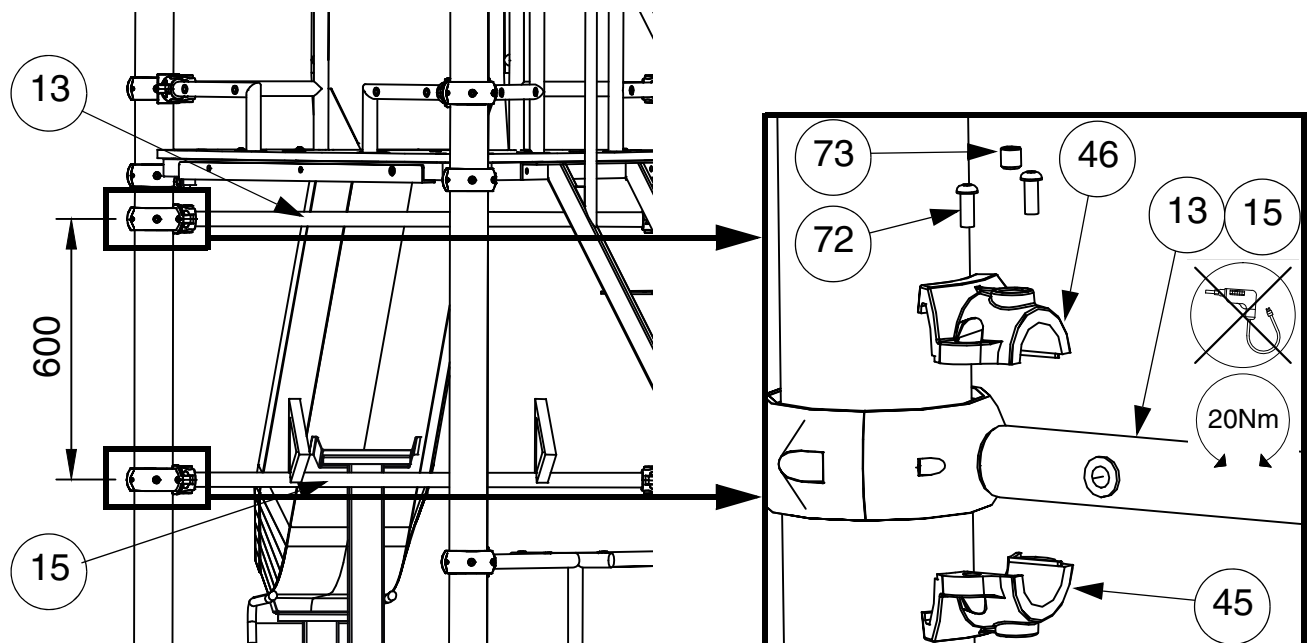
STEP 23



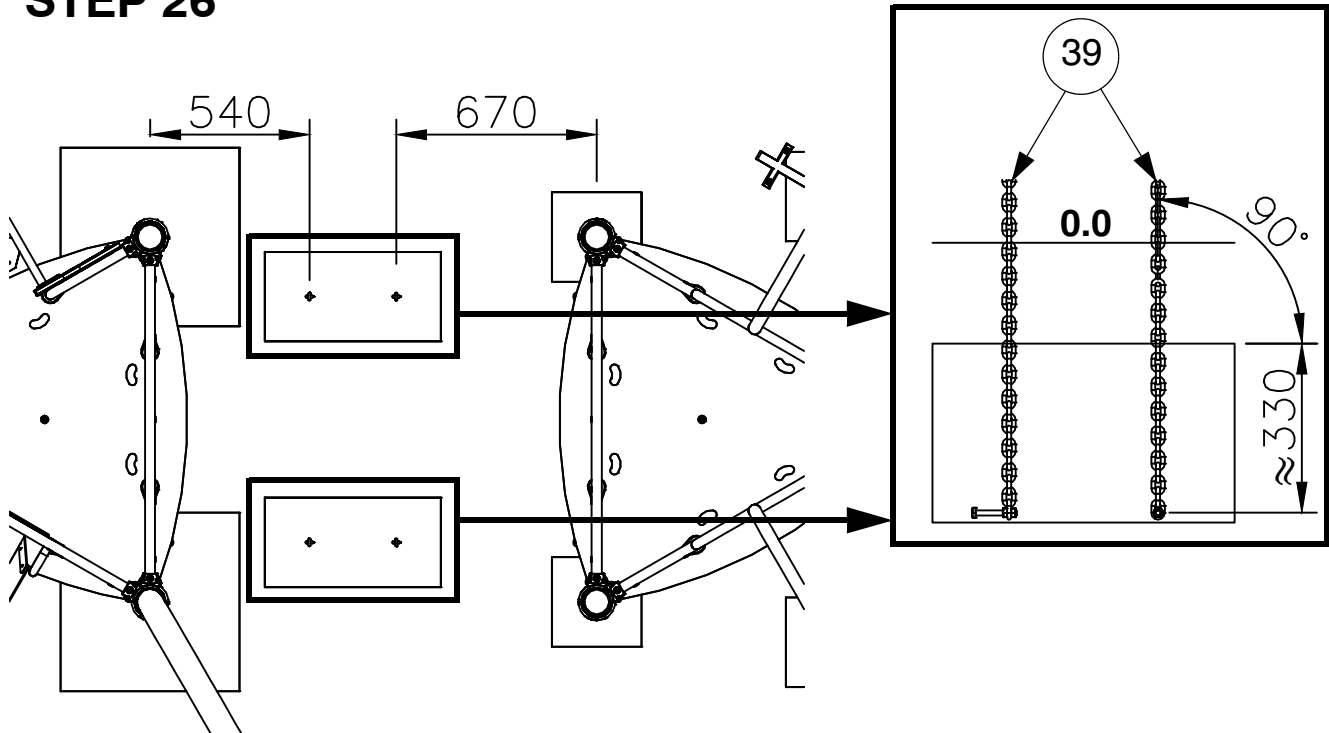
STEP 24



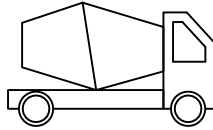


STEP 25



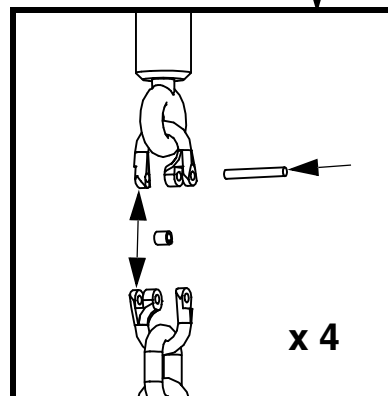
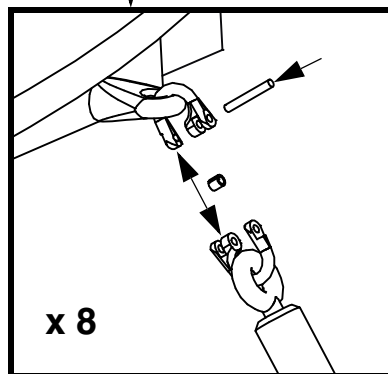
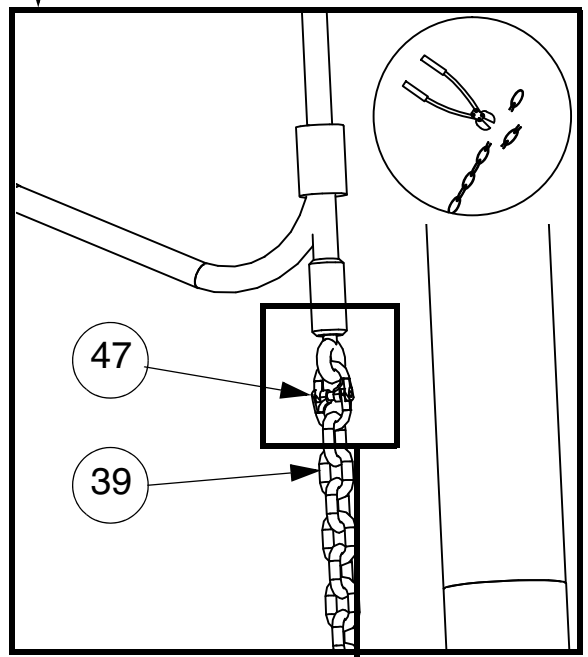
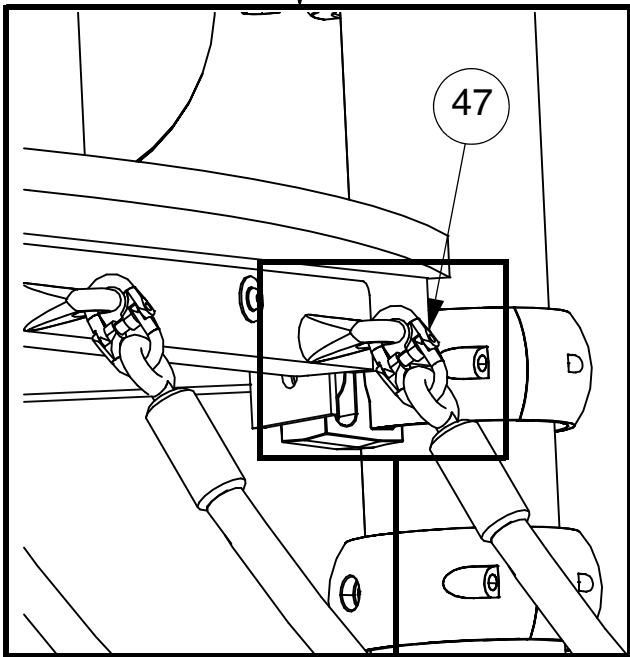
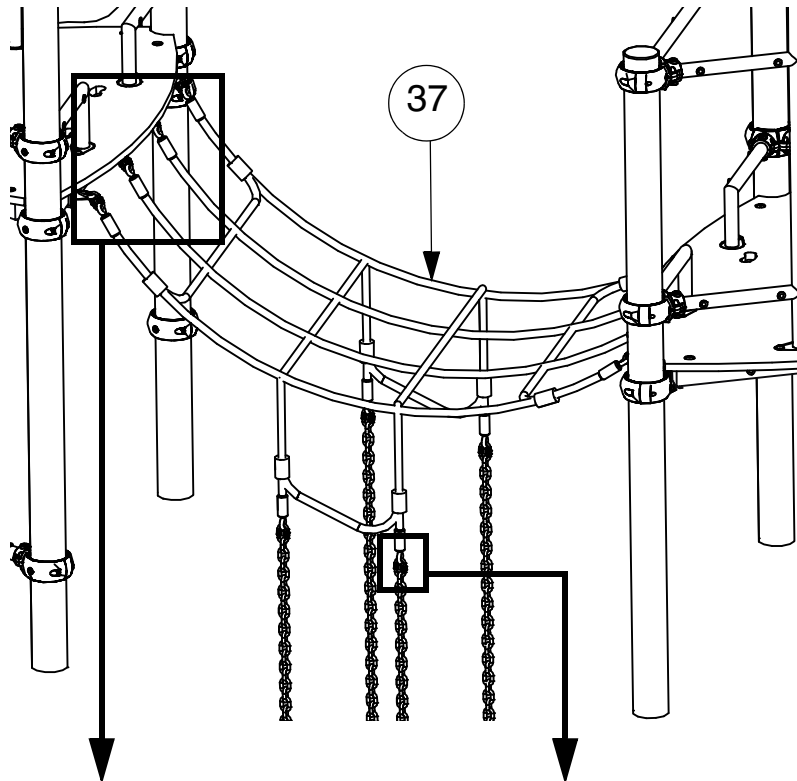
STEP 26



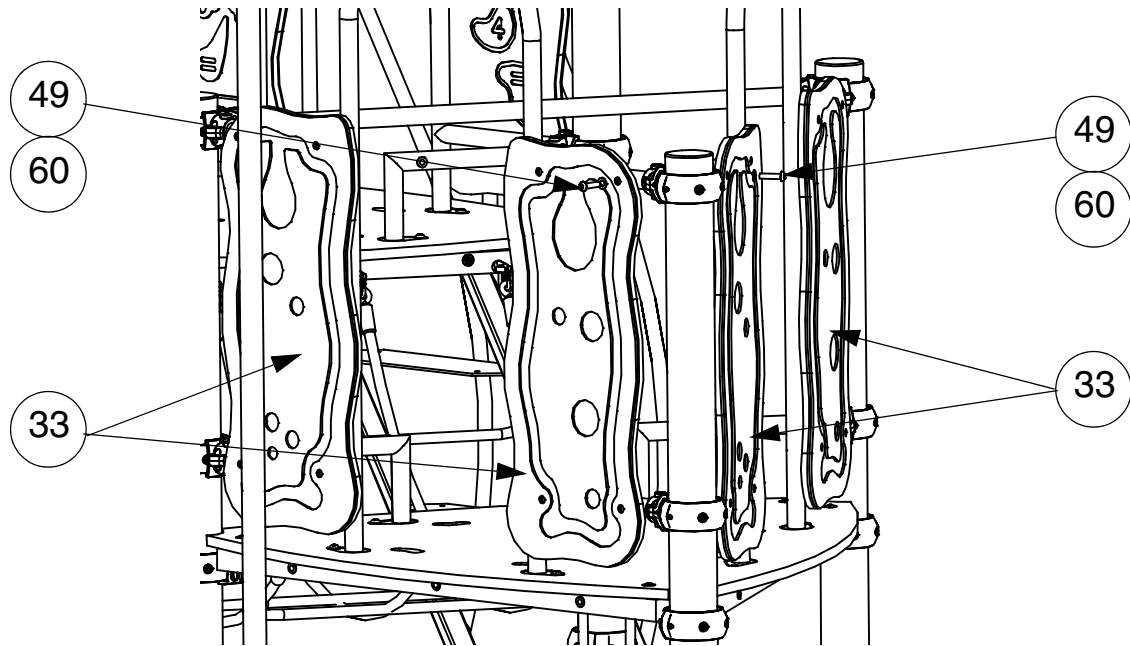
STEP 27

	
S2 (50mm) $\geq C20-25$	
	7 x 24h
	101

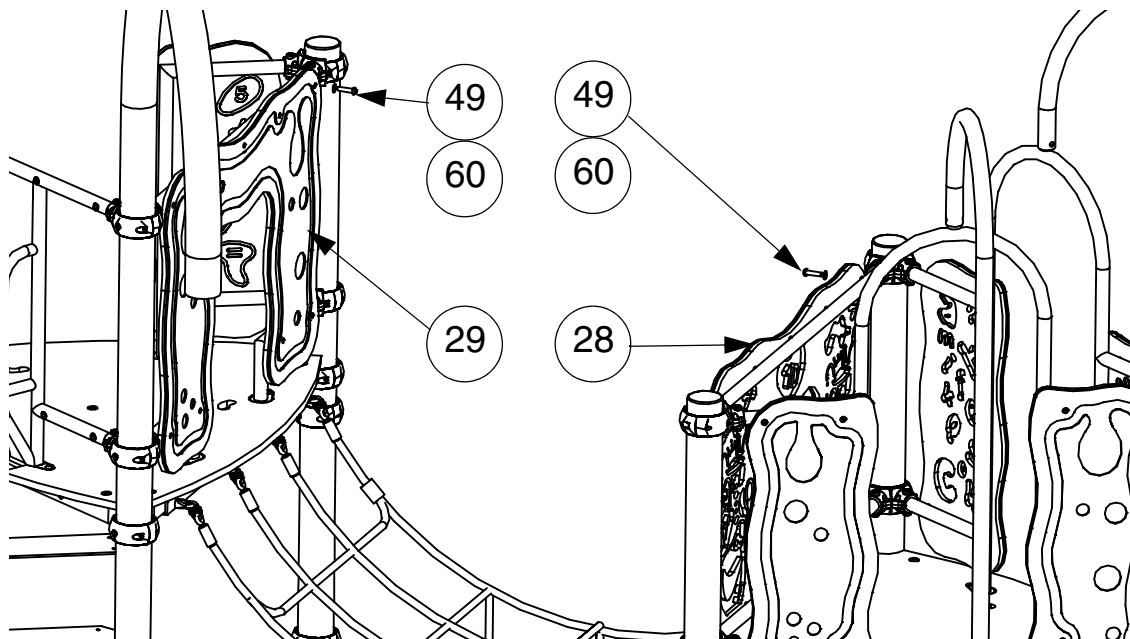
STEP 28



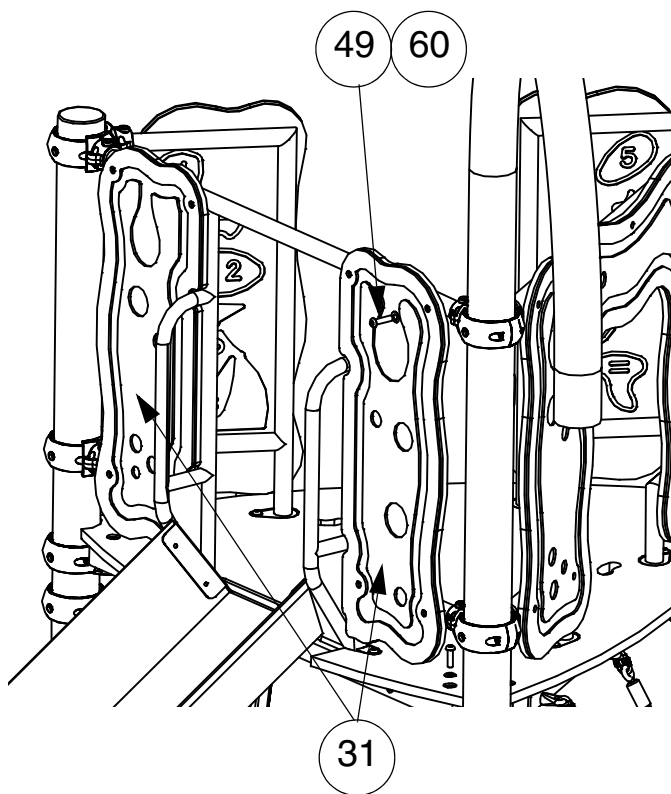
STEP 29



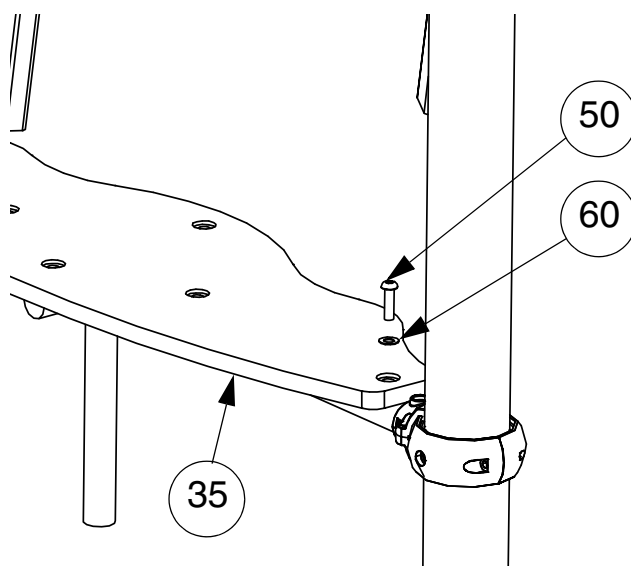
STEP 30



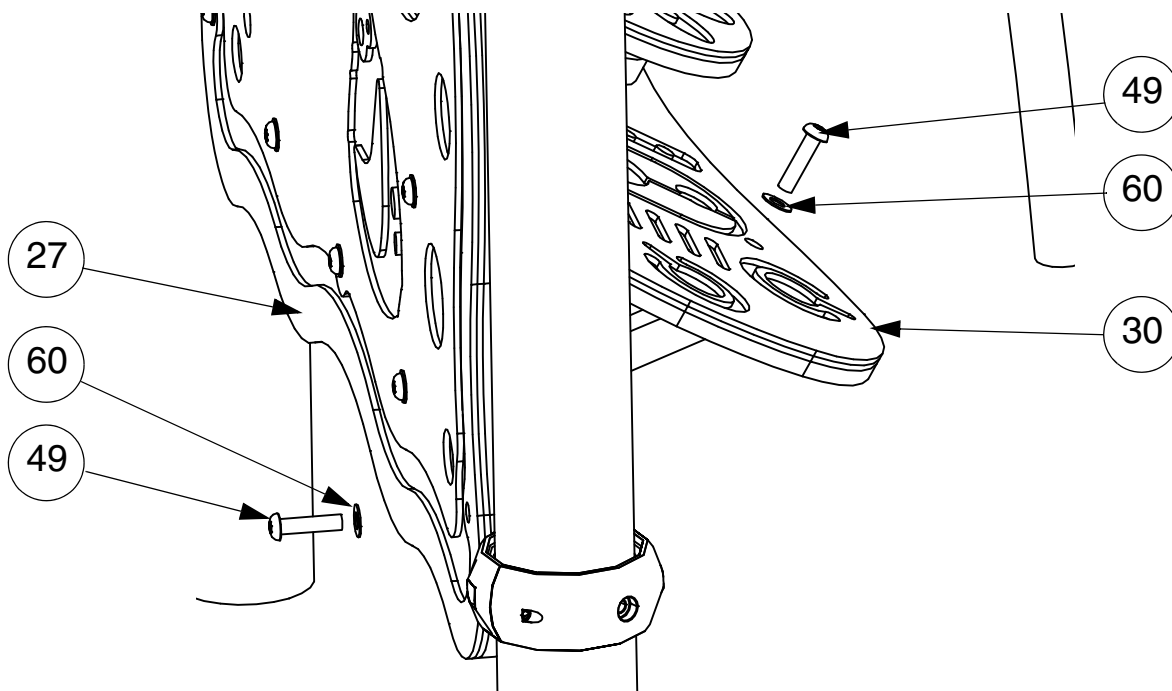
STEP 31



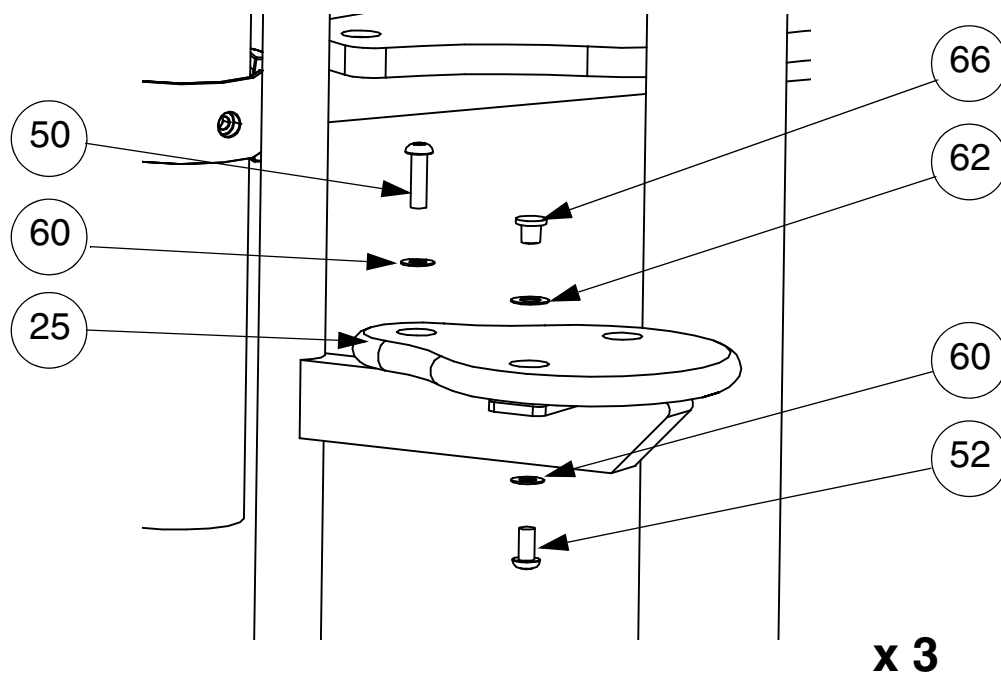
STEP 32



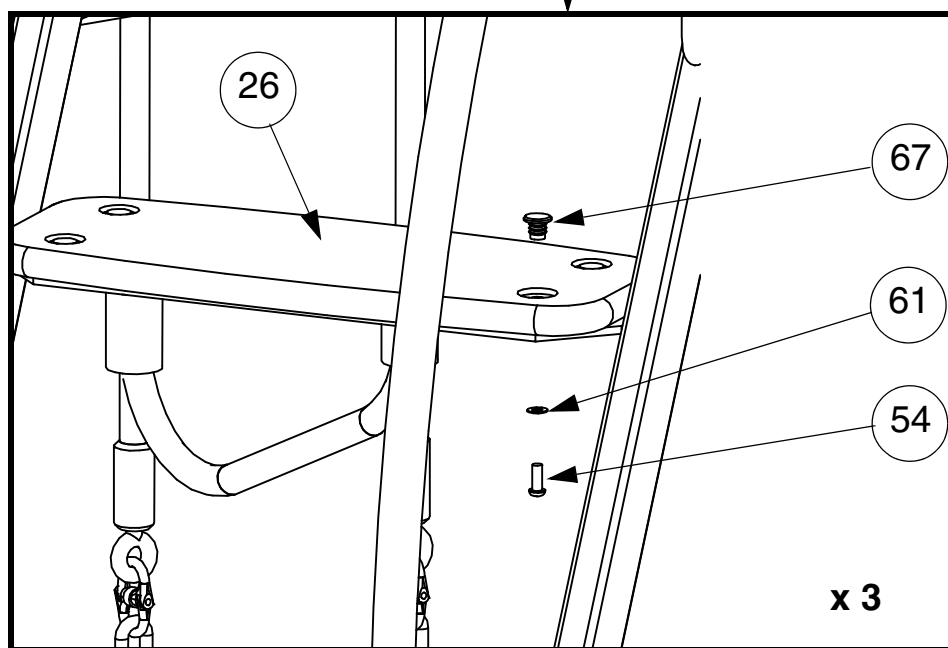
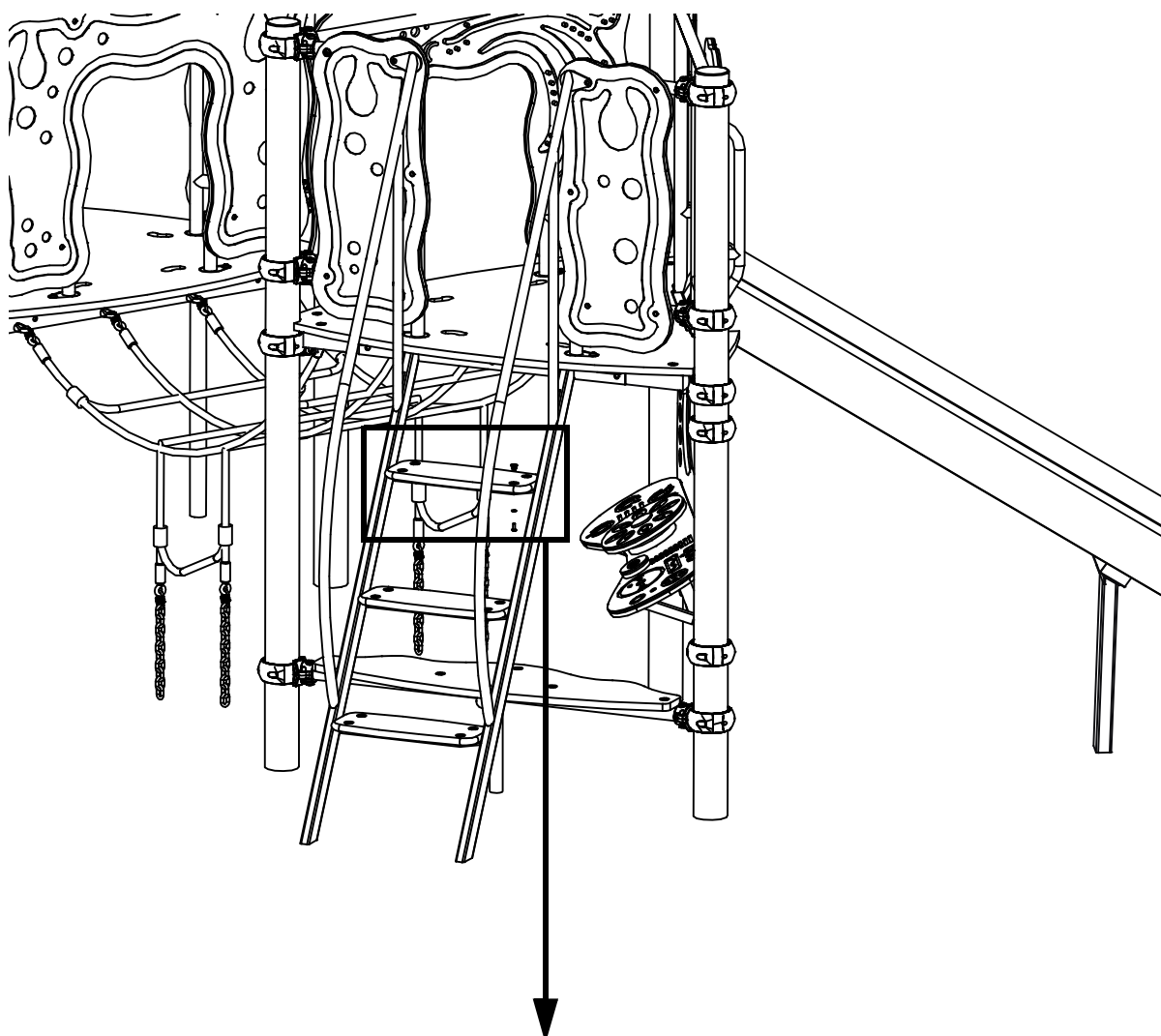
STEP 33



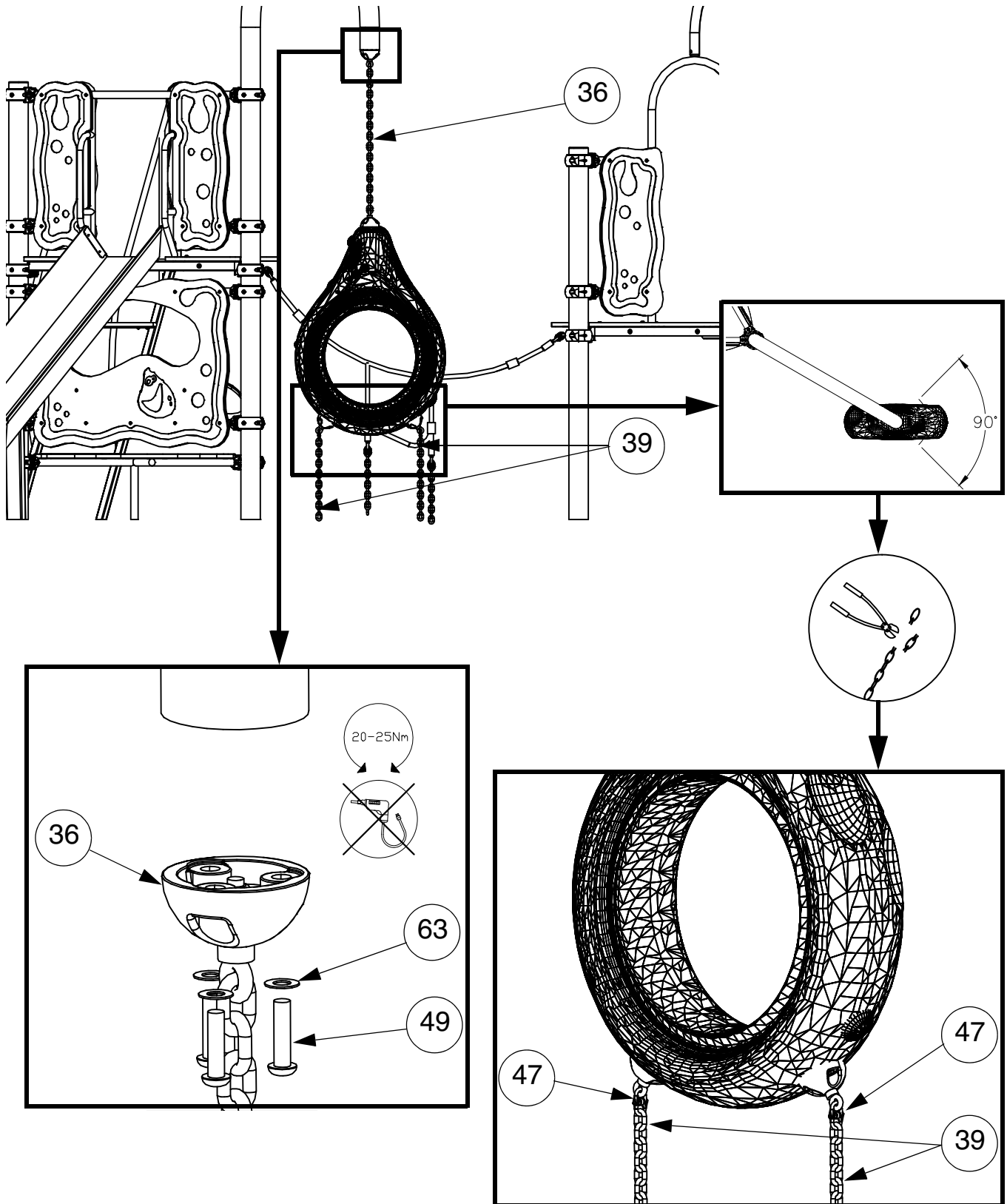
STEP 34



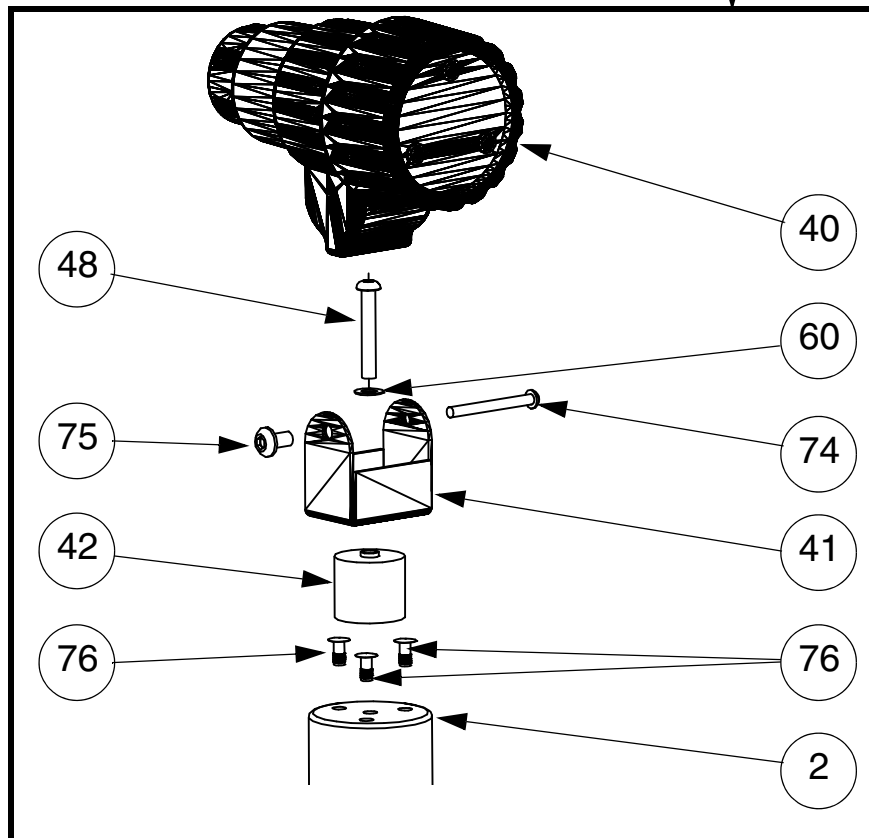
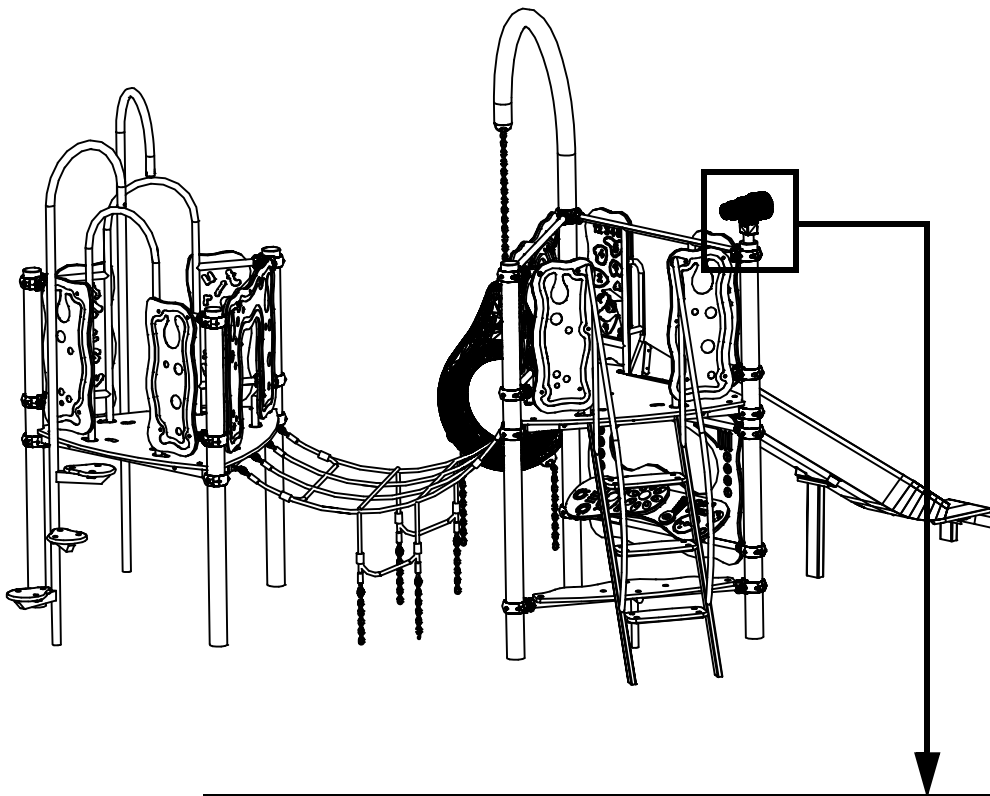
STEP 35



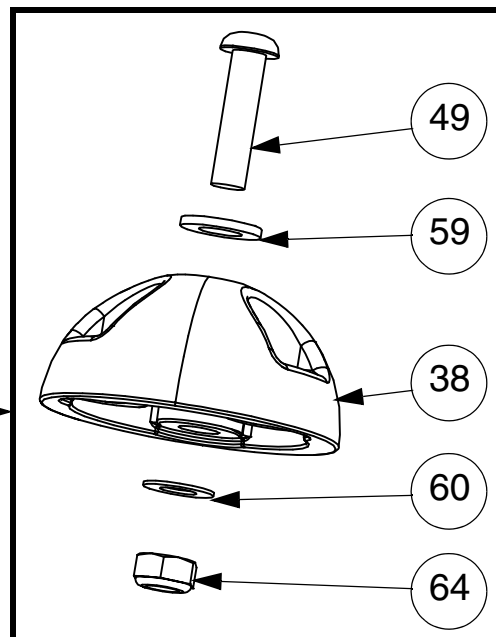
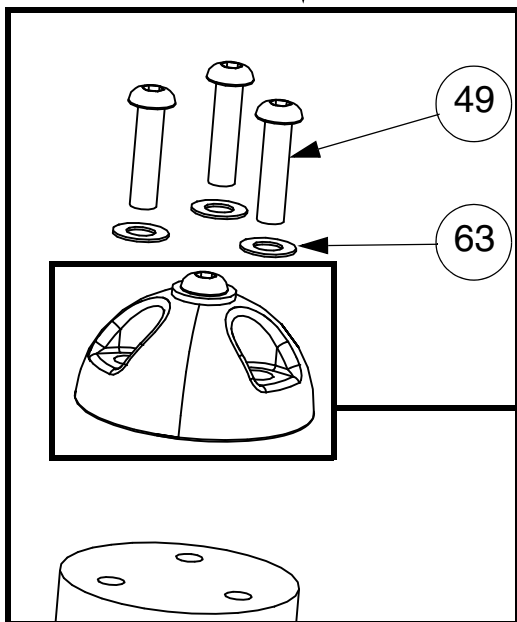
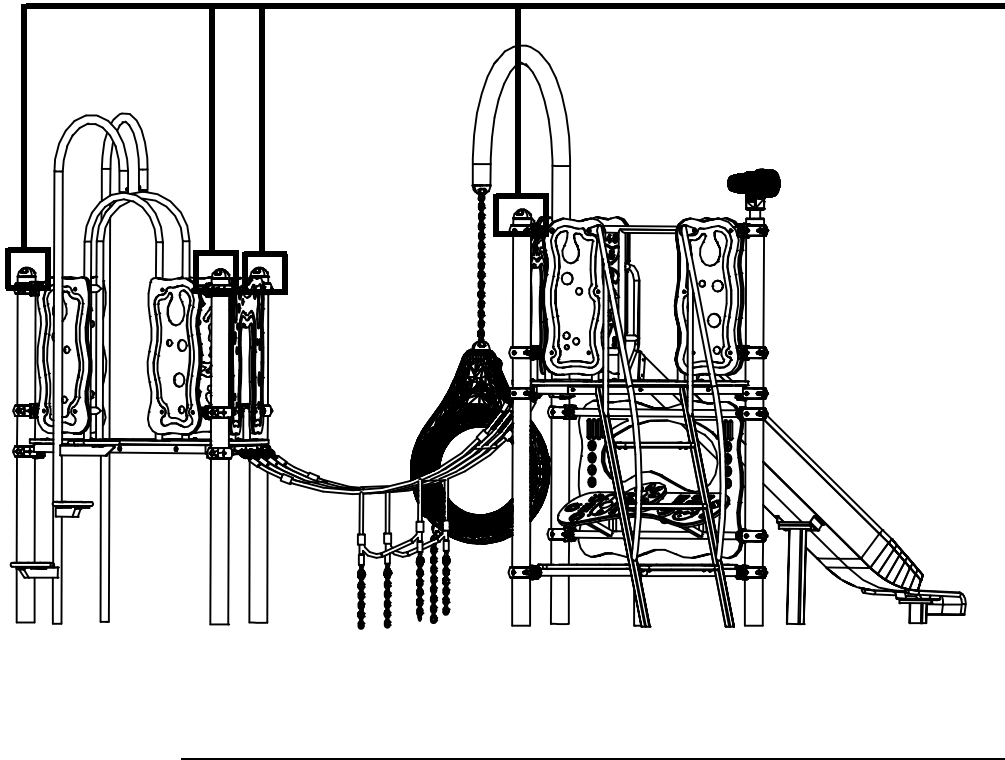
STEP 36



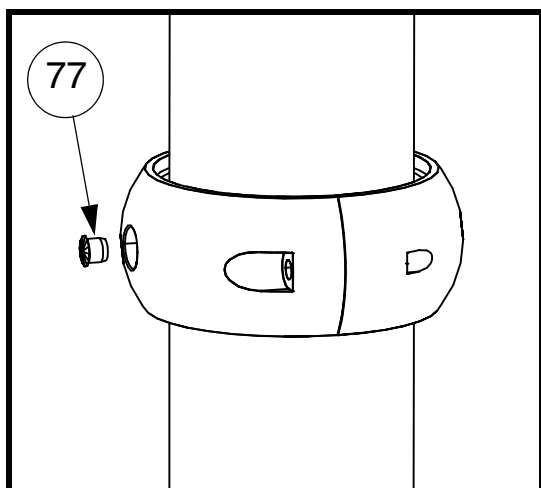
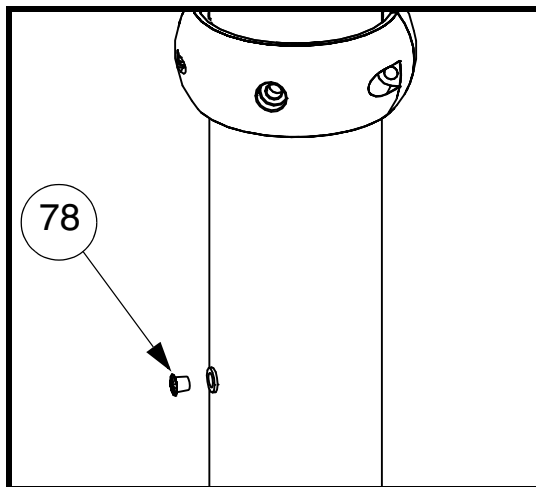
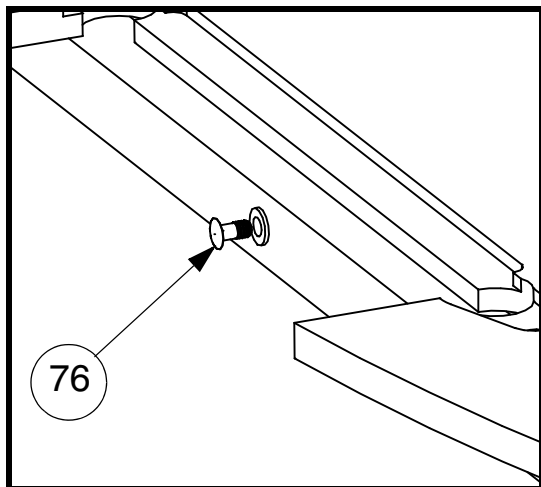
STEP 37

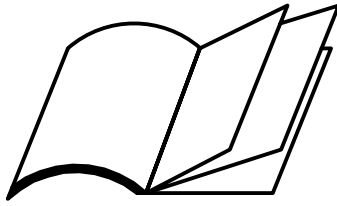


STEP 38



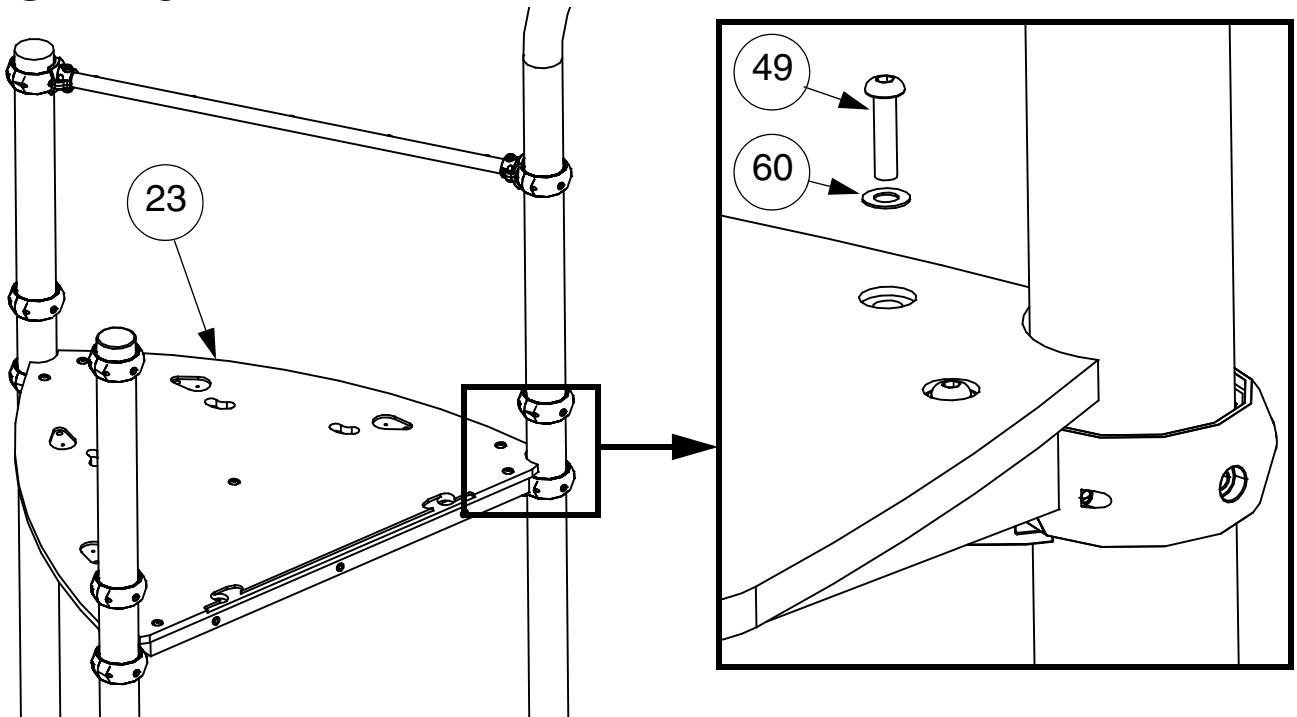
STEP 39



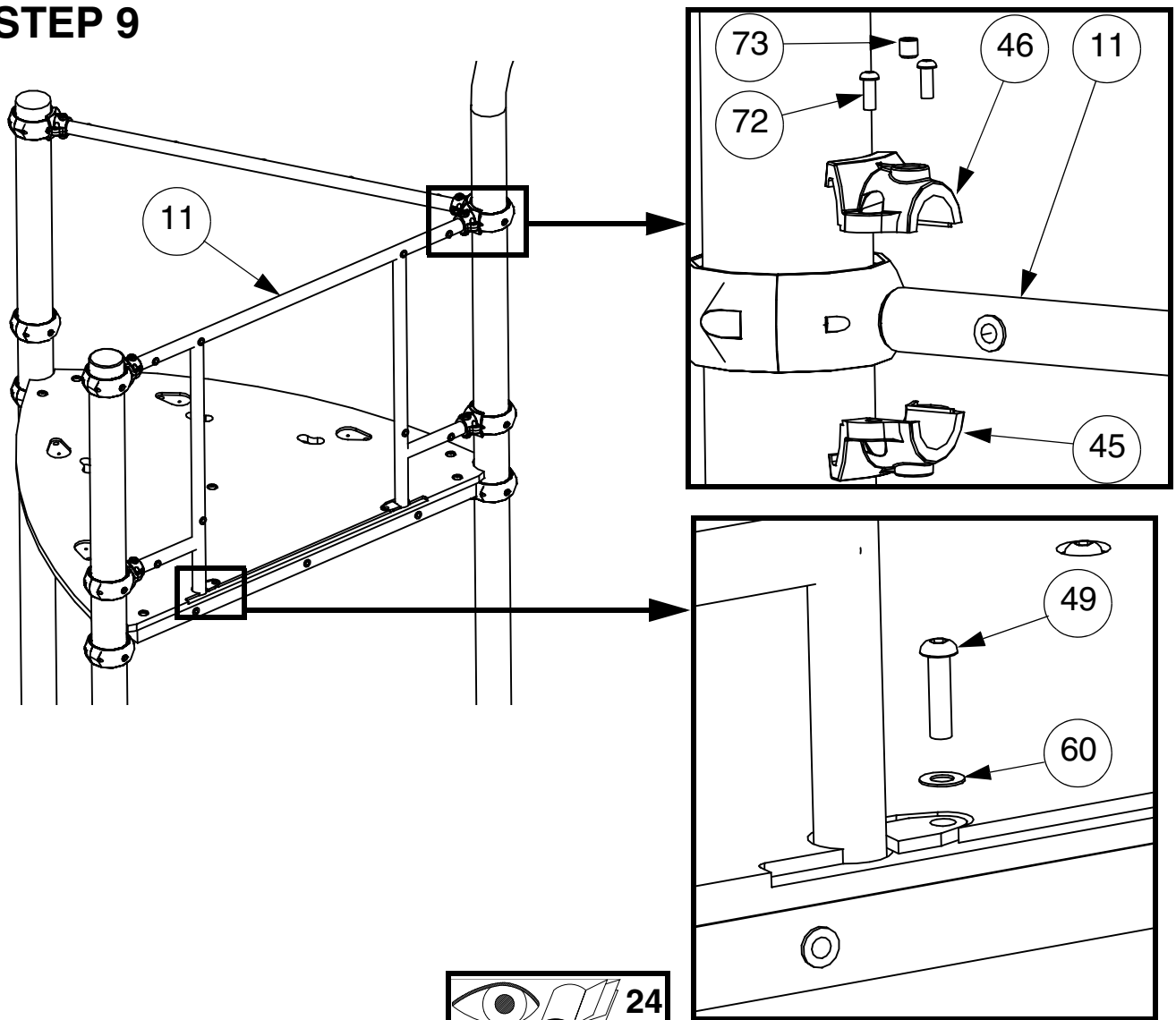


Appendix A: X-007/P

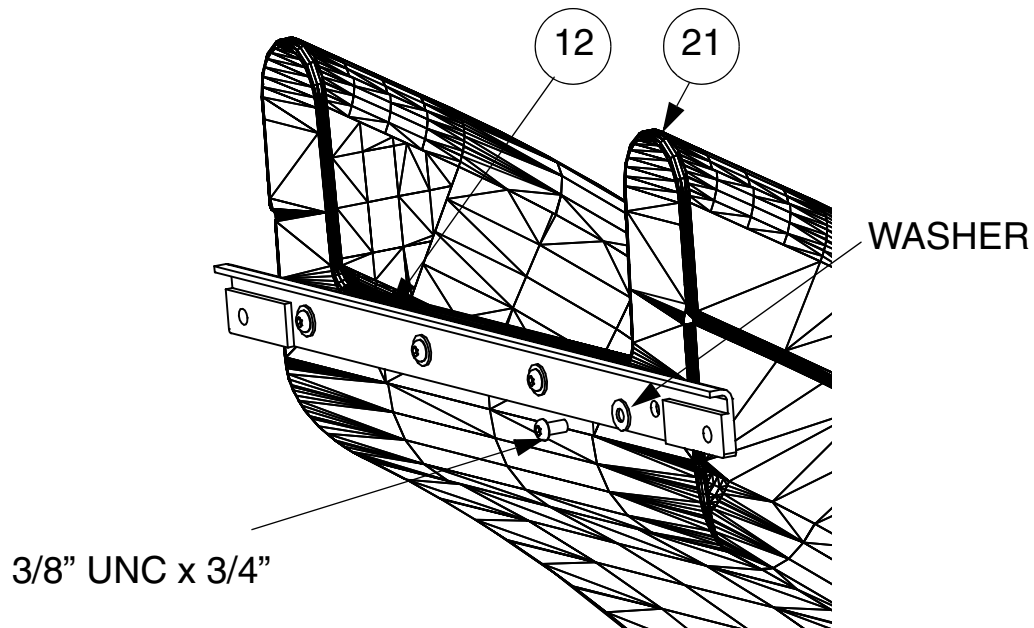
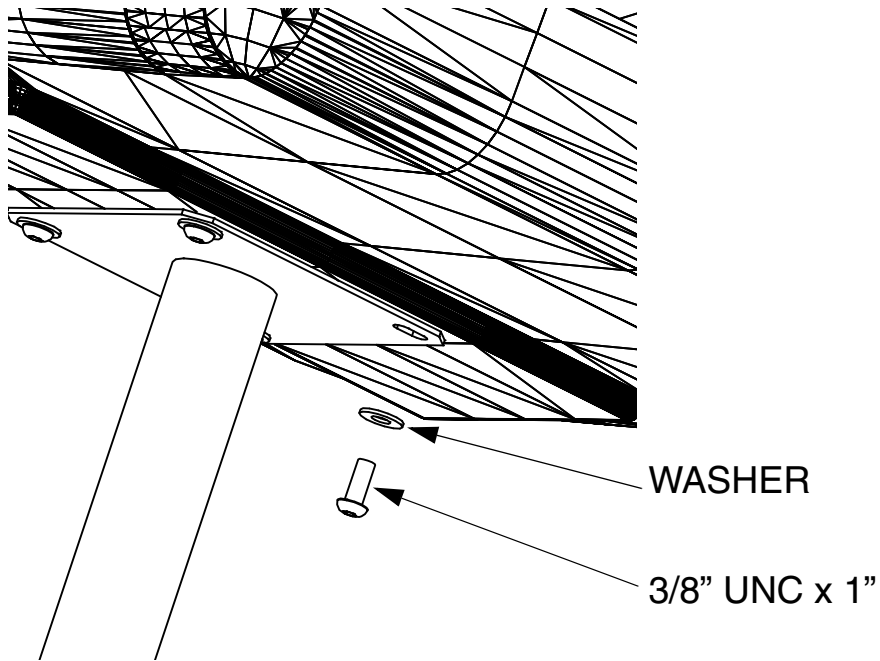
STEP 8



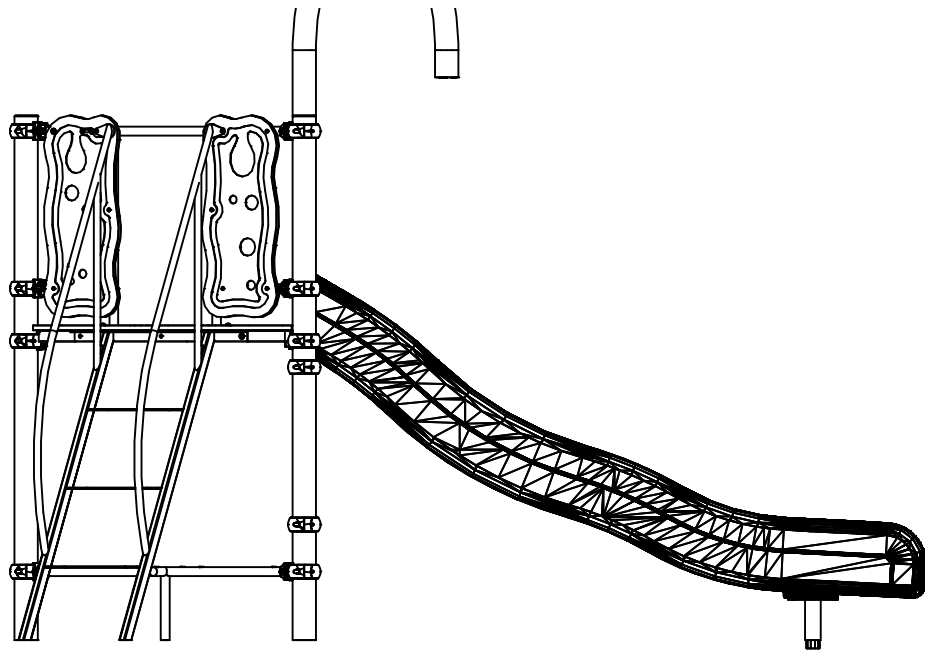
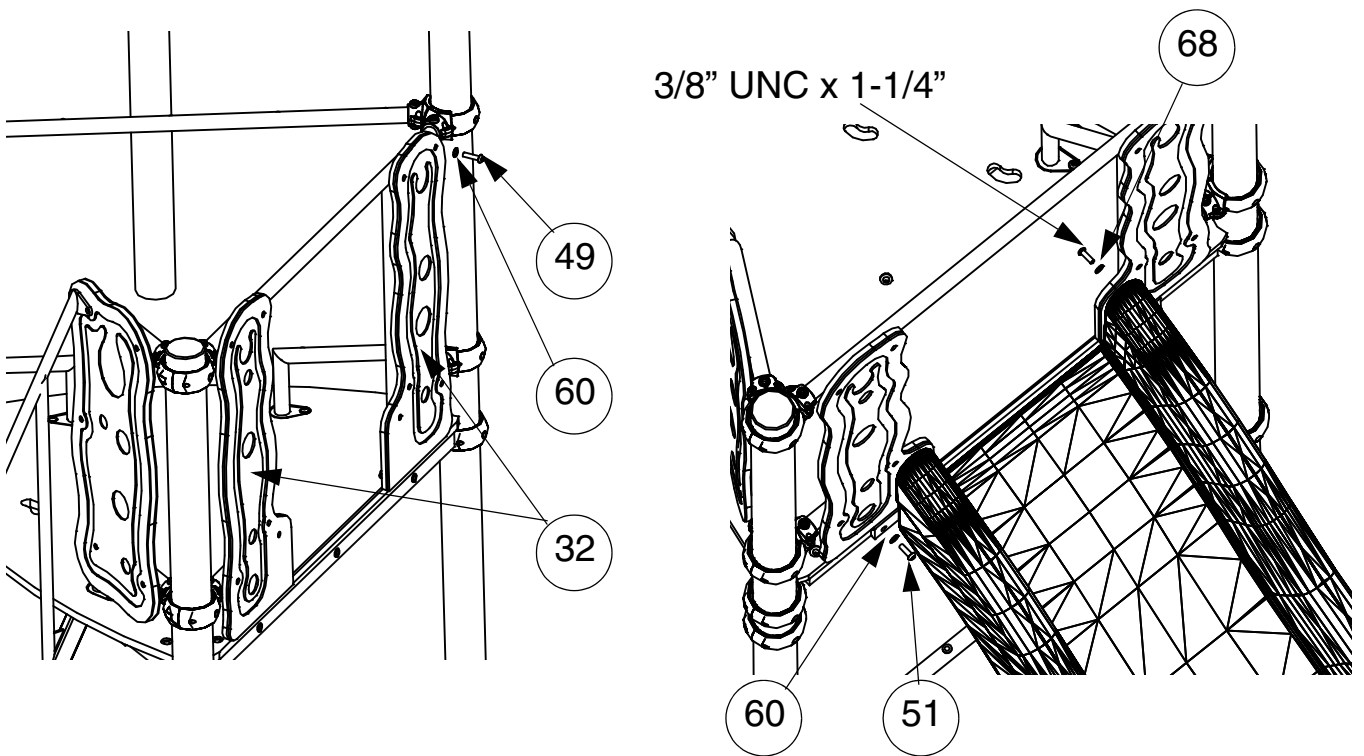
STEP 9

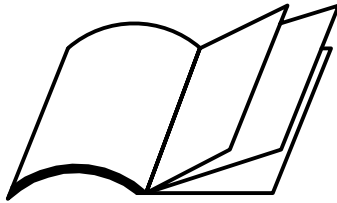


STEP 15A

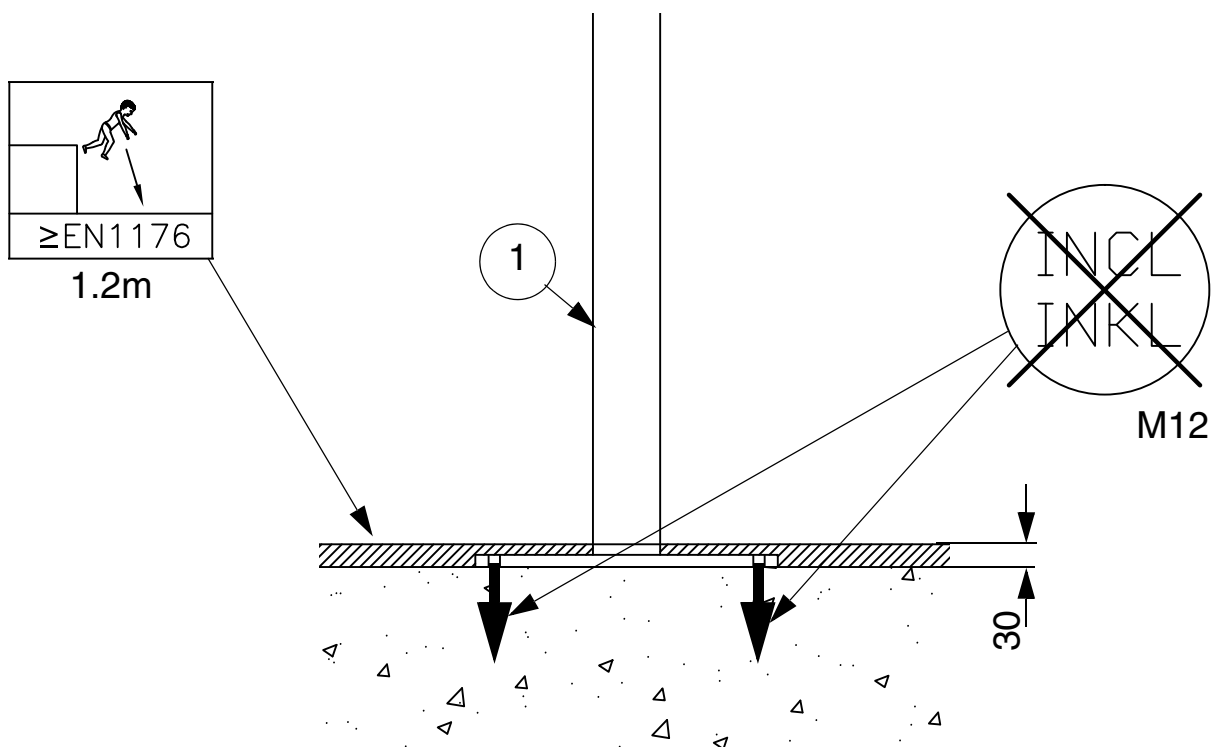


STEP 15B

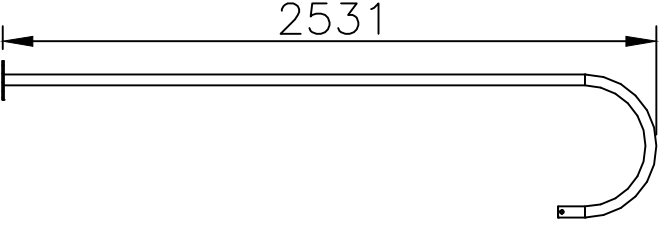
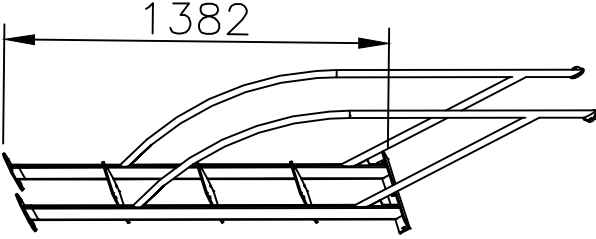
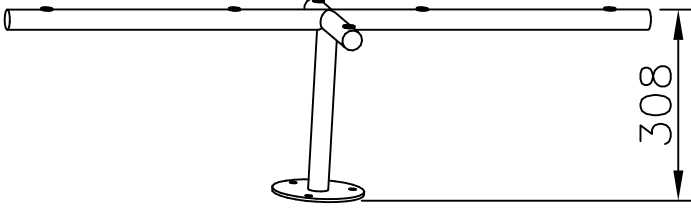
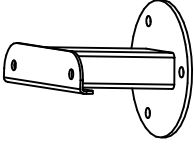

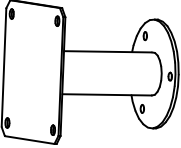

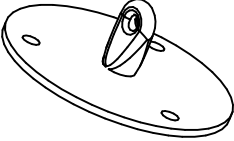




Appendix B: X-007/SD / X-007/PD



ITEM	REF.		X-007/SD	X-007/PD	kg
1	54003740				42.00
2	54012900		2		22.00
3	54012600		3		19.00
6	54020409		1		13.50

7	54023130		1	10.50	
9	54043001		1	28.00	
16	54020911				5.5
19	55081202		1		1.50
20	55081203		1		3.00
21A	55081201			1	3.00
39A	38008026				1.5
39B	55050011				1.00